

# OA-0.4-6.0V/2028

Ultra Wideband Omni Directional Antenna for DAS Applications



The most important thing we build is trust.

## Provisional Specification

PMR, Tetra, Cellular, WiFi and LTE

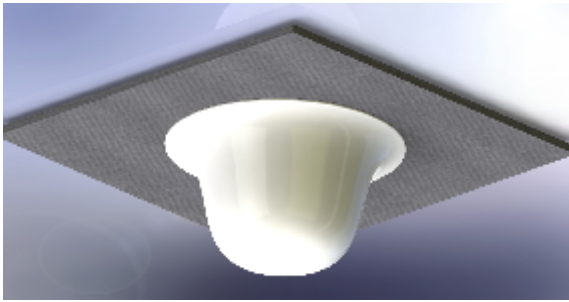
Low Ripple Omni Pattern

Light Weight

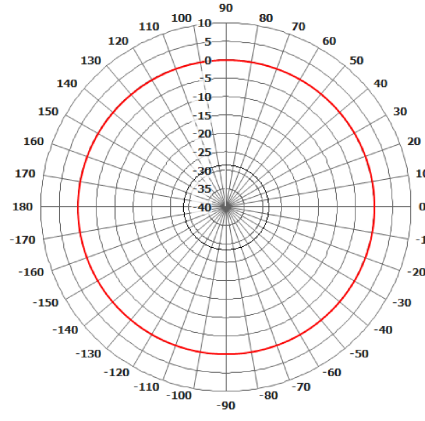
Can be Ceiling Mounted

SAR Tested

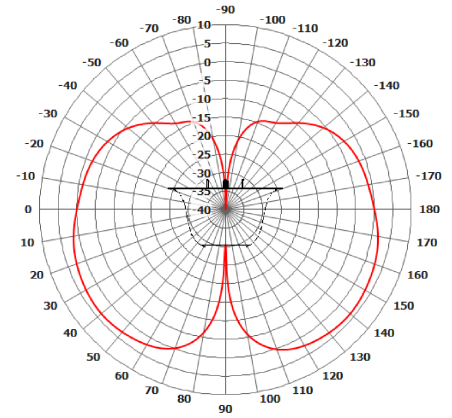
Does Not Require a Ground Plane



Illustrated on 24" Ceiling Tile

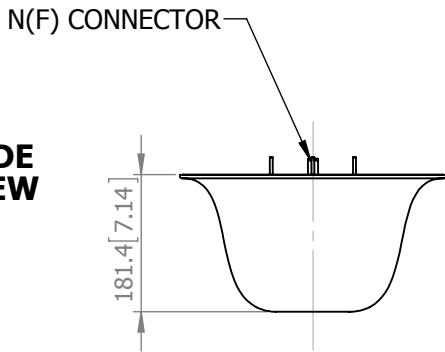


Azimuth Polar Plot  
(On Horizon)

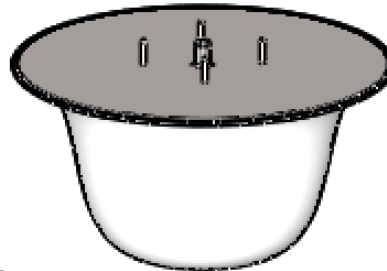
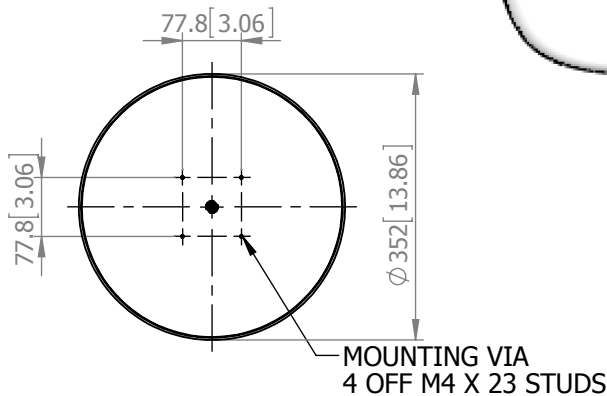


Elevation Polar Plot

**SIDE VIEW**



**BASE VIEW**



### ELECTRICAL

Frequency:	0.38 - 6.0 GHz
Gain:	-1 to +5° dBi Peak
Polarisation:	Linear (Vertical)
Beamwidth:	360° (Az) x 70° (E) Approx.
VSWR:	3:1 Max <2:1 Typ.
Power Rating:	5 W

### MECHANICAL

Standard Finish:	White Radome, Plated Base
Mass:	970 g / 2.1 lbs Approx
Temperature:	-20° to +50°C
Wind Loading:	N/A

### MOUNTING OPTIONS

Kits Available:	See Sheet 2
-----------------	-------------

GA: 2028-C Issued: 240113  
Dimensions: mm [Inches] L

European Antennas Limited trading as Cobham Antenna Systems, Microwave Antennas

European Antennas Limited has a policy of continuous development and stress that the information provided is a guide only and does not constitute an offer or contract or part thereof. Whilst every effort is made to ensure the accuracy of the information contained in this Data Sheet, no responsibility can be accepted for any errors or omissions.

The copyright of antenna designs and images is copyright protected and owned by European Antennas Limited.  
©European Antennas Limited.

For further information please contact:

Cobham Antenna Systems, Microwave Antennas

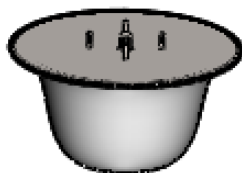
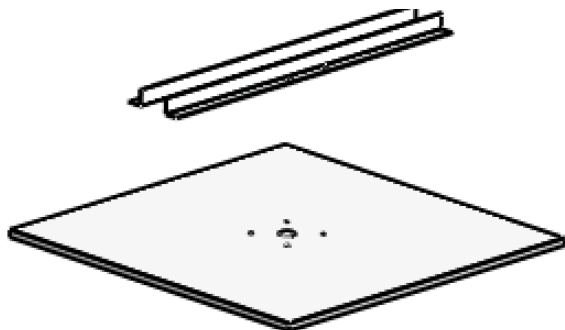
Lambda House, Cheveley,  
Newmarket, Suffolk. CB8 9RG, UK  
Tel +44 (0) 1638 732177  
Fax +44 (0) 1638 731999  
Email [newmarket.sales@cobham.com](mailto:newmarket.sales@cobham.com)

# OA-0.4-6.0V/2028

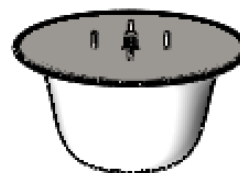
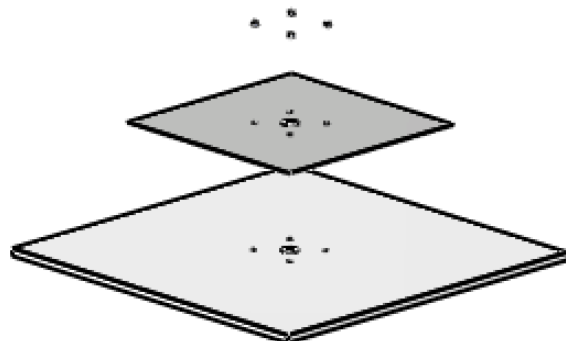
Mounting Options

Provisional Specification

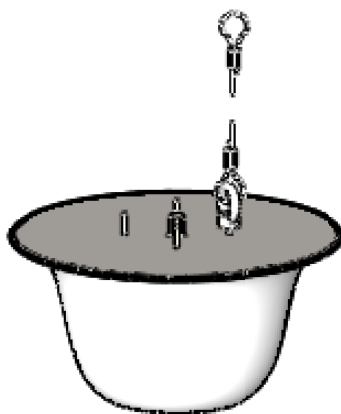
**COBHAM**



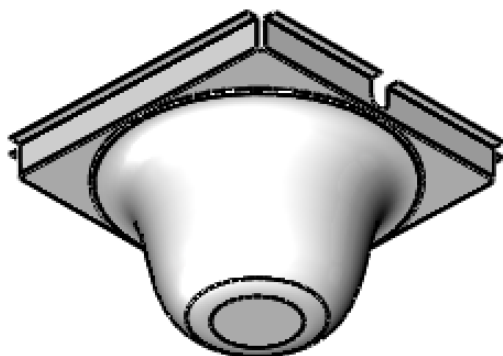
**Option 1  
Ceiling Tile Mount  
Angle Strip**



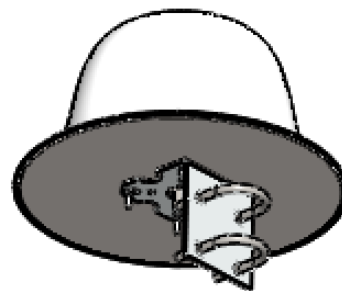
**Option 2  
Ceiling Tile Mount  
Flat Plate**



**Option 3  
Safety Tether**



**Option 4  
Flush / Wall Mounting**



**Option 5  
MK4/B**

European Antennas Limited trading as Cobham Antenna Systems, Microwave Antennas

European Antennas Limited has a policy of continuous development and stress that the information provided is a guide only and does not constitute an offer or contract or part thereof. Whilst every effort is made to ensure the accuracy of the information contained in this Data Sheet, no responsibility can be accepted for any errors or omissions.

The copyright of antenna designs and images is copyright protected and owned by European Antennas Limited.  
©European Antennas Limited.

For further information please contact:

Cobham Antenna Systems, Microwave Antennas

Lambda House, Cheveley,  
Newmarket, Suffolk. CB8 9RG, UK  
Tel +44 (0) 1638 732177  
Fax +44 (0) 1638 731999  
Email [newmarket.sales@cobham.com](mailto:newmarket.sales@cobham.com)