

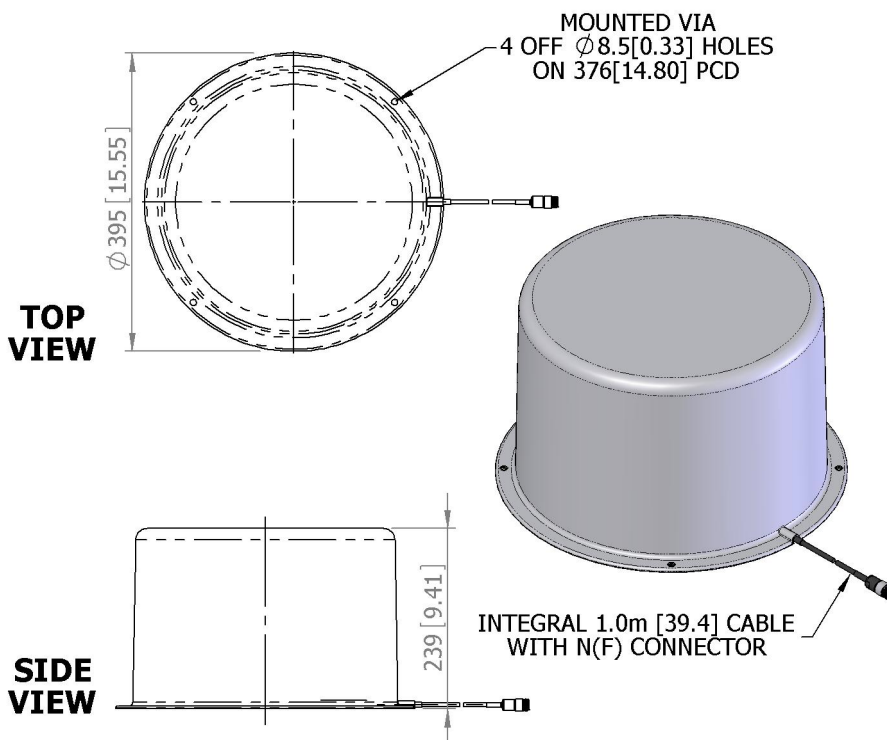
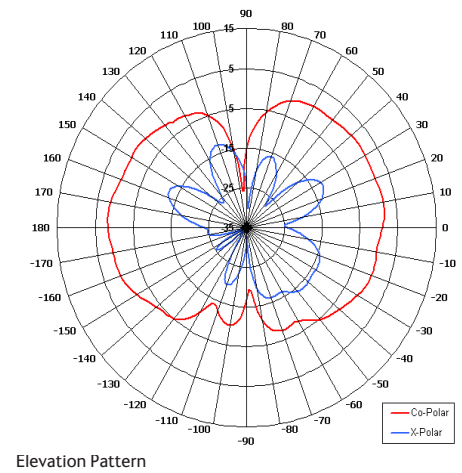
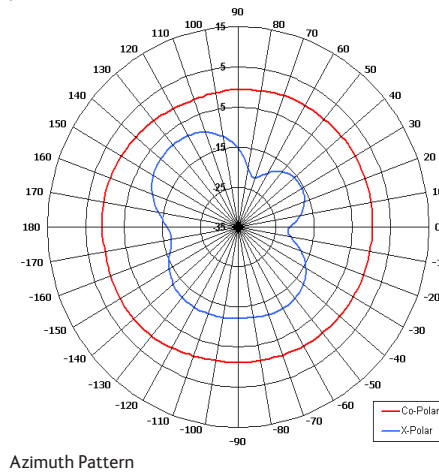
OA1-0.42V/1316

COBHAM

Omni Antenna

The most important thing we build is trust

- Designed for DAS Applications
- Suitable for PMR/TETRA Applications
- Suitable for Outdoor Applications
- Rugged
- Integrated Cable Options



ELECTRICAL	
Frequency	380 - 470 MHz
Gain	1.0 dBi Nom
Polarisation	Linear (Vertical)
Beamwidth	360° (Az) x 85° (El) Approx
VSWR	<1.5:1
Power Rating	25 W
Front to Back	N/A

MECHANICAL	
Standard Finish	Light Grey ABS
Mass	2.0 Kg (4.4 lbs)
Temperature	-20° to +50° C

MOUNTING OPTIONS	
Kits Available	N/A

See separate data sheets

ADDITIONAL NOTES

GA: 1316

Issued 021212

European Antennas Limited trading as Cobham Antenna Systems, Microwave Antennas

European Antennas Limited has a policy of continuous development and stress that the information provided is a guide only and does not constitute an offer or contract or part thereof. Whilst every effort is made to ensure the accuracy of the information contained in this brochure, no responsibility can be accepted for any errors or omissions.

The copyright of antenna designs and images is copyright protected and owned by European Antennas Limited.
©European Antennas Limited

For further information please contact:

Cobham Antenna Systems, Microwave Antennas
Lambda House, Cheveley,
Newmarket, Suffolk CB8 9RG, UK.
Tel +44 (0)1638 732 177
Fax +44 (0) 1638 731999
Email newmarket.sales@cobham.com