

The most important thing we build is trust

### Key Features

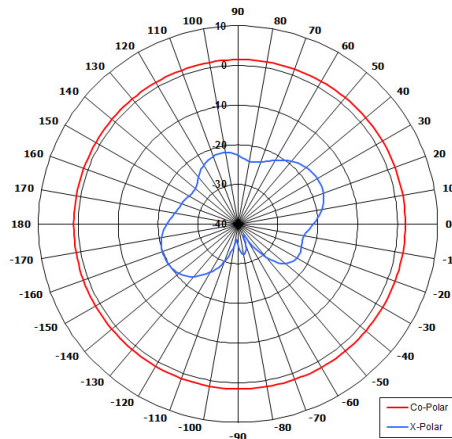
Designed for Unmanned Systems Applications

Suitable for Security Applications

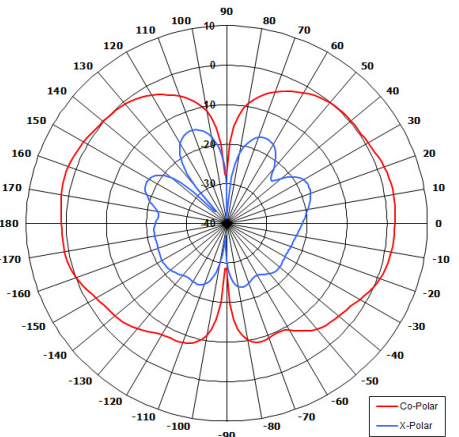
Low Profile Design

Lightweight

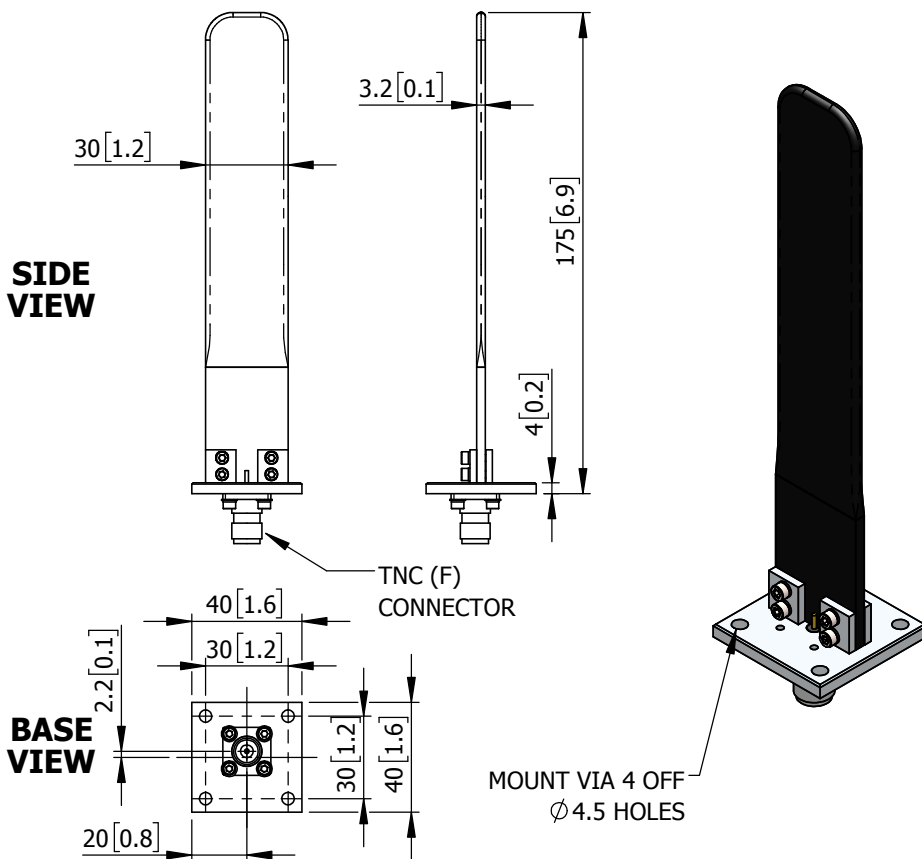
Low Windloading



Azimuth Polar Plot\*



Elevation Polar Plot\*



### ELECTRICAL

Frequency:	415 - 435 MHz
Gain:	0 dBi Typ.
Polarisation:	Linear (Vertical)
Beamwidth:	Approx 360° (Az) x 85° (El)
Cross Polar:	20 dB Typ.
VSWR:	2:1 Typ.
Power Rating:	10 W
Front to Back:	N/A

### MECHANICAL

Standard Finish:	Matt Black
Mass:	56g / 1.97oz
Temperature:	-20° to +50°C
Wind Loading:	8N @ 100 mph

### MOUNTING OPTIONS

Kits Available:	N/A
See Separate Data Sheets	

\* - Measured on 400mm X 400mm Ground plane

DS: 2466-1 Issued: 021118  
Dimensions: mm [inches] L

Chelton Limited trading as Cobham Antenna Systems, Microwave Antennas

Chelton Limited has a policy of continuous development and stress that the information provided is a guide only and does not constitute an offer or contract or part thereof. Whilst every effort is made to ensure the accuracy of the information contained in this Data Sheet, no responsibility can be accepted for any errors or omissions.

The copyright of antenna designs and images is copyright protected and owned by Chelton Limited.  
©Chelton Limited.

For further information please contact:

Cobham Antenna Systems, Microwave Antennas, Lambda House, Cheveley, Newmarket, Suffolk, CB8 9RG, UK

T: +44 (0) 1638 732177  
E: newmarket.sales@cobham.com  
W: www.cobham.com/antennasystems/microwaveantennas