

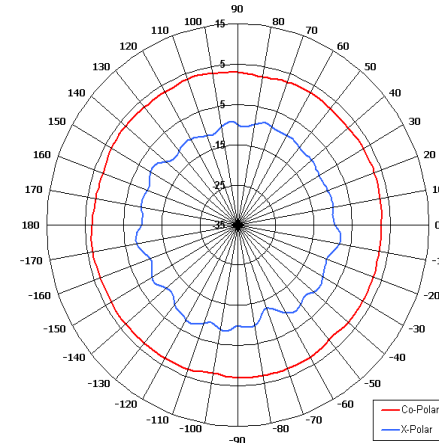
# RCO4-149/1447



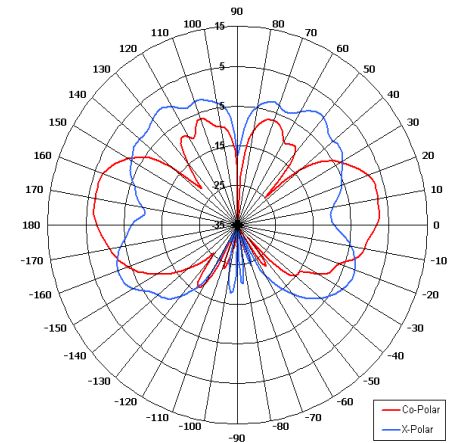
Omni Antenna

## Key Features

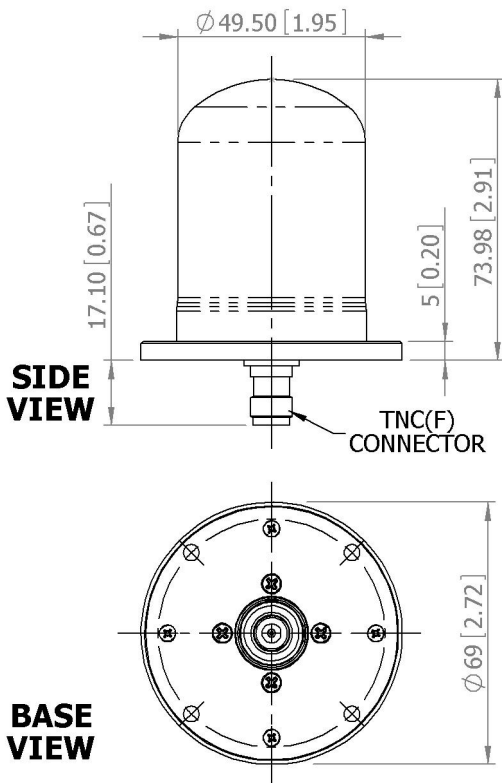
- Designed for UAV Data Link Applications
- High Frequency
- Right Hand Circular Polarised
- Suitable for Airborne Applications
- Rugged
- Connector Options



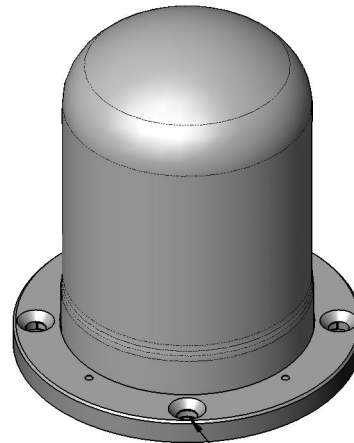
Azimuth Pattern



Elevation Pattern



**GA: 1447**



MOUNTED VIA  
4 OFF Ø 4.3 [0.17] HOLES  
CSK TO 90° EQUI-SPACED  
ON 60.0 [2.36] PCD.

## ELECTRICAL

Frequency	14.40 - 15.40 GHz
Gain	4.0 dBiC Nom
Polarisation	Right Hand Circular
Beamwidth	360° (Az) x 30° (El) Approx
Axial Ratio	5.0 dB Approx
VSWR	1.67:1
Power Rating	100 W
Electrical Tilt	10° Up

## MECHANICAL

Standard Finish	MIL PRF 85285 BS2X348 BS 381 C 626 Grey Matt
Mass	145g (5.1 oz)
Temperature	-40° to +71°C
Wind Loading	0.58 Kg (1.27lbs) @ 100mph

## MOUNTING OPTIONS

Kits Available	N/A
----------------	-----

See separate data sheets

## ADDITIONAL NOTES

Issued 270617

Chelton Limited has a policy of continuous development and stress that the information provided is a guide only and does not constitute an offer or contract or part thereof. Whilst every effort is made to ensure the accuracy of the information contained in this brochure, no responsibility can be accepted for any errors or omissions.

The copyright of antenna designs and images is copyright protected and owned by Chelton Limited.  
©Chelton Limited

For further information please contact:  
Chelton Limited,  
Lambda House, Cheveley,  
Newmarket, Suffolk CB8 9RG, UK.  
T: +44 (0)1638 732 177  
E: newmarket.sales@chelton.com  
W: www.chelton.com/microwave