

OA2-4.8V/1840

Omni Antenna



Key Features

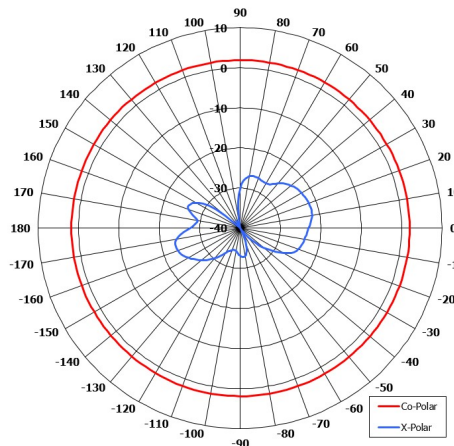
Designed for Security Application

Designed for Integrated Solutions

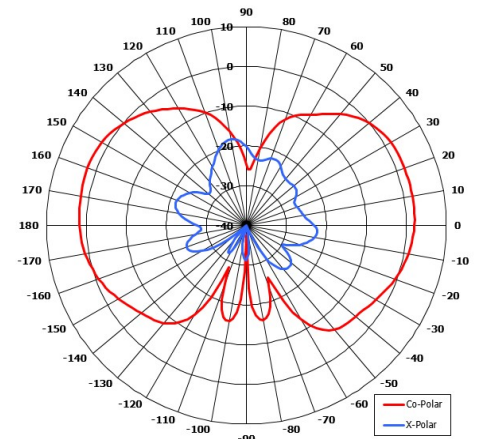
Suitable for Multiple Applications

Lightweight

Vertical Polarisation

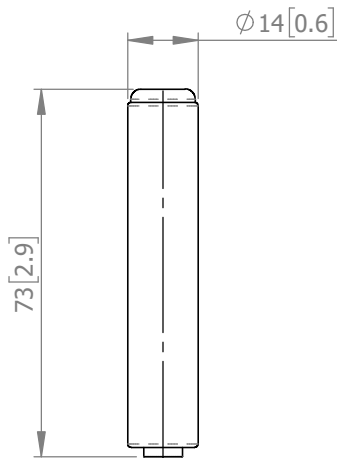


Azimuth Polar Plot

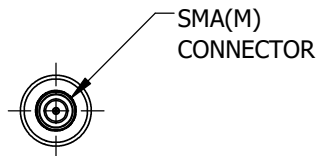


Elevation Polar Plot

SIDE VIEW



BASE VIEW



ELECTRICAL

Frequency:	4.40 - 5.00 GHz
Gain:	2.4 dBi Nom.
Polarisation:	Linear (Vertical)
Beamwidth:	360° (Az) x 63° (El) Approx.
Cross Polar:	>20 dB Typ.
VSWR:	2:1
Power Rating:	10 W
Front to Back:	N/A
Electrical Tilt:	0°

MECHANICAL

Standard Finish:	Matt Black
Mass:	16 g (0.56oz)
Temperature:	-20° to +50°C
Wind Loading:	N/A

MOUNTING OPTIONS

Kits Available:	N/A
-----------------	-----

See Separate Data Sheets

DS: 1840-2 Issued: 200120
Dimensions: mm [inches] X (H,M,L)

Chelton Limited has a policy of continuous development and stress that the information provided is a guide only and does not constitute an offer or contract or part thereof. Whilst every effort is made to ensure the accuracy of the information contained in this brochure, no responsibility can be accepted for any errors or omissions.

The copyright of antenna designs and images is copyright protected and owned by Chelton Limited.
©Chelton Limited

For further information please contact:
Chelton Limited,
Lambda House, Cheveley,
Newmarket, Suffolk CB8 9RG, UK.
T: +44 (0)1638 732 177
E: newmarket.sales@chelton.com
W: www.chelton.com/