

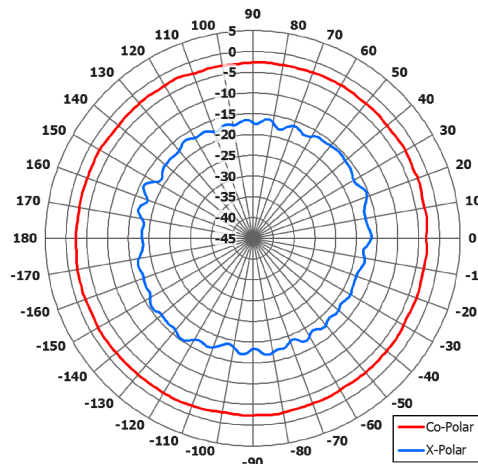
OA3-14.9R/2491

Omni Antenna

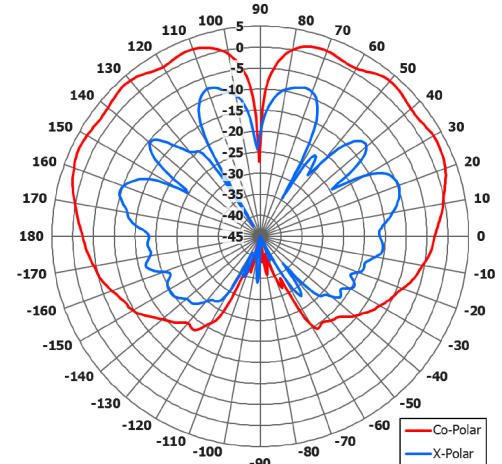


Key Features

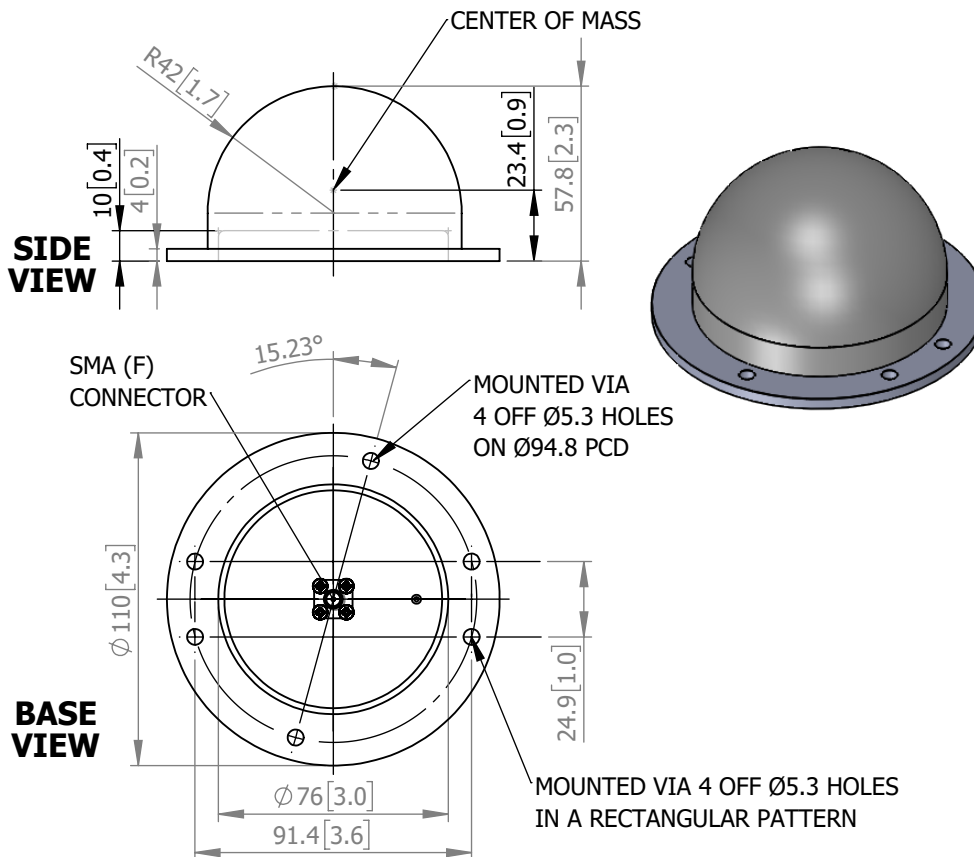
- KU Band Omni
- Right Hand Circular Polarisation
- Designed For CDL Applications
- Very Rugged Design
- Near Hemispherical Coverage



Typical Azimuth Polar Plot



Typical Elevation Polar Plot



ELECTRICAL

Frequency:	14.4 - 15.35 GHz
Gain:	4 dBiC Typ. (Peak), -2.5 dBiC Typ. (Horizon)
Polarisation:	Right hand circular
Beamwidth (Az):	360°
Beamwidth (El):	70° Approx.
Azimuth Ripple	2 dB max.
Axial Ratio:	4 dB typical, 10 dB max within -10 dB coverage
VSWR:	<1.5:1
Electrical Up-Tilt:	50° Typ.
Power Rating:	80 W

MECHANICAL

Standard Finish:	Grey
Mass:	0.3 Kg (0.66 lbs)
Temperature:	-65° to +70°C Operational
Wind Loading:	4N @ 100 mph

MOUNTING OPTIONS

Kits Available: N/A
See Separate Data Sheets

GA: 2491i1 Issued: 300719
Dimensions: mm [inches] L

Chelton Limited has a policy of continuous development and stress that the information provided is a guide only and does not constitute an offer or contract or part thereof. Whilst every effort is made to ensure the accuracy of the information contained in this brochure, no responsibility can be accepted for any errors or omissions.

The copyright of antenna designs and images is copyright protected and owned by Chelton Limited.
©Chelton Limited

For further information please contact:
Chelton Limited,
Lambda House, Cheveley,
Newmarket, Suffolk CB8 9RG, UK.
T: +44 (0)1638 732 177
E: newmarket.sales@chelton.com
W: www.chelton.com/microwave