

OA4-0.96-1.22V/1990

Omni Antenna

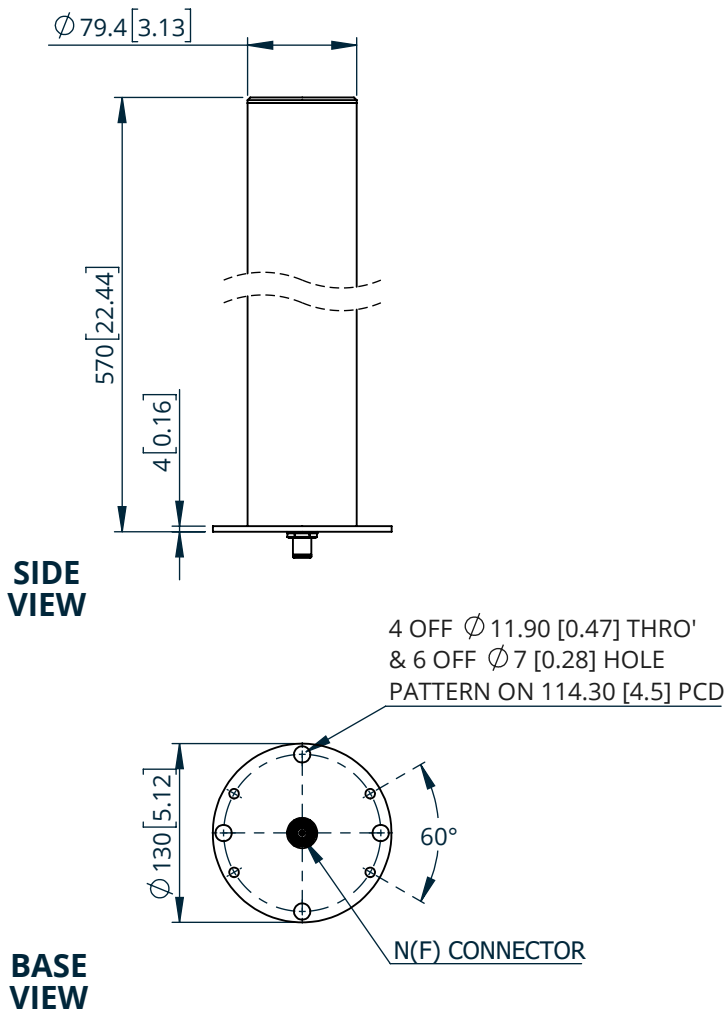
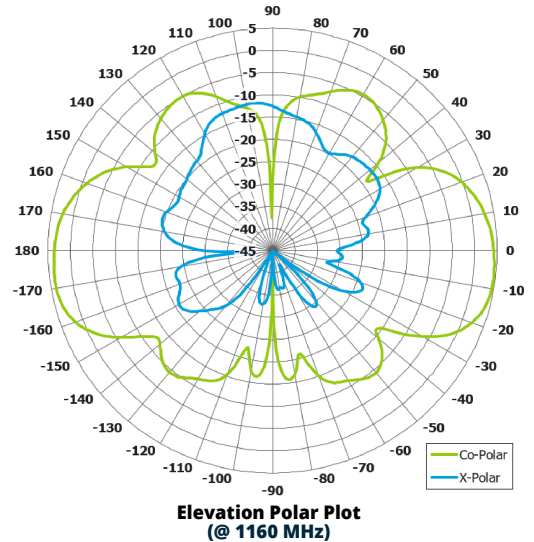
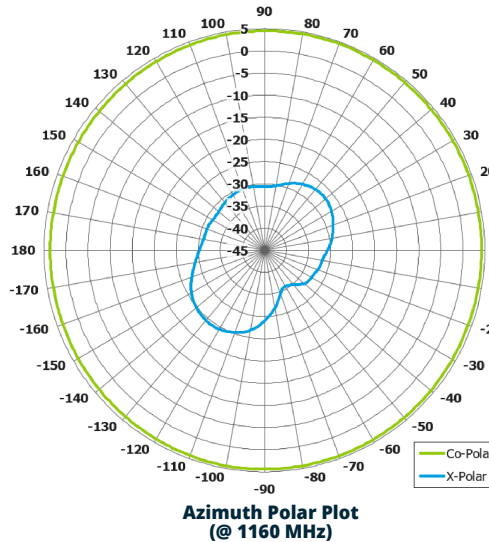
Key Features:

Designed for Link 16 military tactical data link networks

Medium gain

Wideband performance

Rugged design



ELECTRICAL

Frequency:	960 to 1215 MHz
Gain:	4 dBi Typ.
Polarisation:	Vertical
Beamwidth:	360° x 33° Typ.
Cross Polar:	>20 dB Typ.
VSWR:	2:1 Max, <1.5:1 Typ.
Power Rating:	200 W @ 50 % duty
Impedance:	50 Ohms
DC Grounding:	Yes

MECHANICAL

Standard Finish:	Marine grade paint grey
Mass:	2.4 Kg / 5.29 lbs
Temperature:	-40 to +50°C
Wind Loading:	80 N @ 100 mph
Ice Load:	20mm all over @ 100 mph max.

Full radiation patterns and CAD available on request

DS: 1990i4

Issued: 240621

Dimensions: mm [inches]