

XPO2V-880-2175/1321

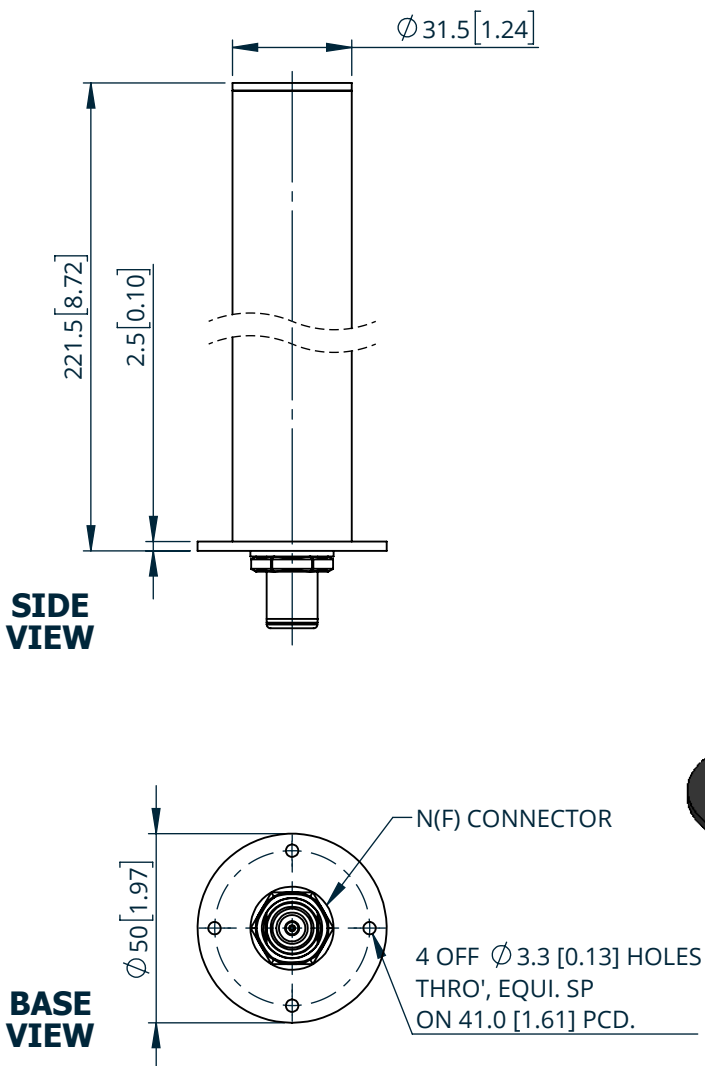
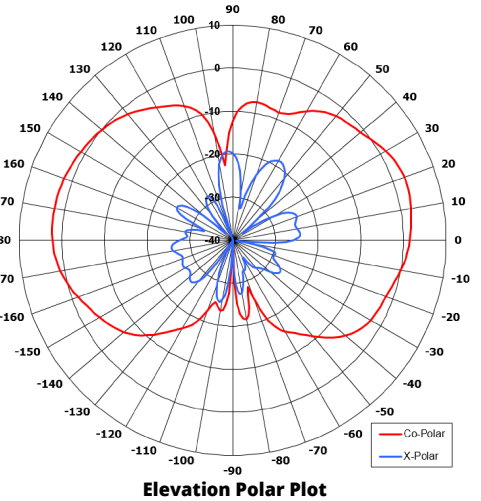
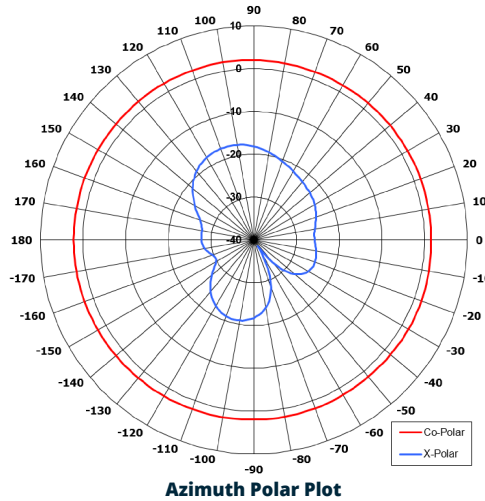
Omni Antenna

Key Features:

Suitable for multiple applications

Wideband

Colour options



ELECTRICAL

Frequency: 880 to 2175 MHz

Gain: 2.5 dBi Typ.

Polarisation: Vertical

Beamwidth: 360° x 50° Typ.

Cross Polar: >10 dB Typ.

VSWR: 2.5:1 Max.

Power Rating: 50 W

MECHANICAL

Standard Finish: Black

Mass: 0.18 Kg / 0.4 lbs Approx.

Temperature: -20 to +50°C

Wind Loading: 10.79 N @ 100 mph

Full radiation patterns and CAD available on request

DS: 1321-3

Issued: 070621

Dimensions: mm [inches]