

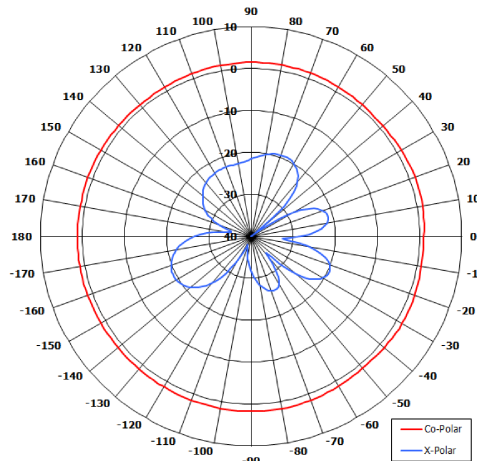
# OA2-0.8-6.0V/1666

Ultra Wideband High Power Omni Antenna

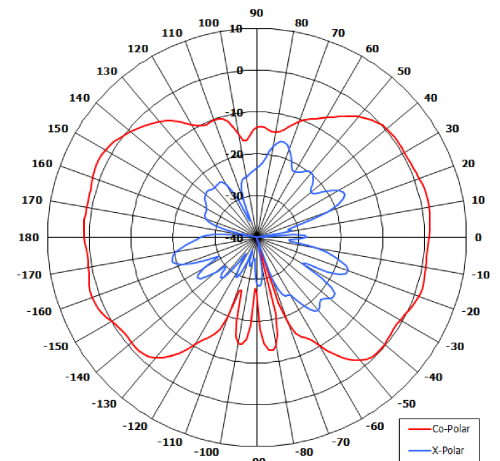


## Key Features

- Ultra Wideband
- Suitable for Multiple Applications
- Rugged Design
- Low Azimuth Ripple
- Colour Options Available

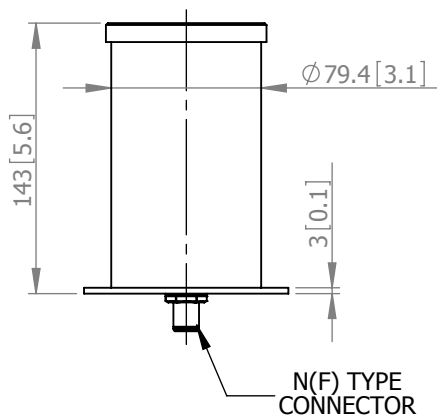


Azimuth Polar Plot  
(similar product)

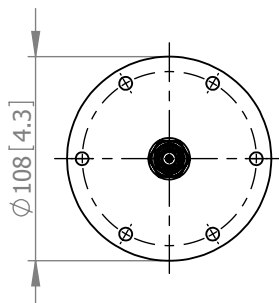


Elevation Polar Plot  
(similar product)

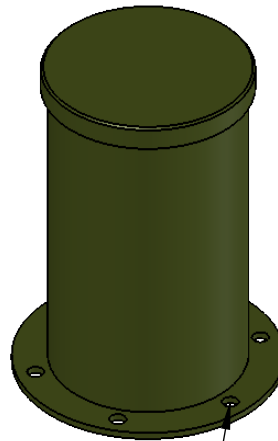
**SIDE VIEW**



**BASE VIEW**



MOUNTED VIA 6 OFF  
 $\varnothing 6.8$  [0.27] HOLES  
EQUI-SPACED ON  
92.1 [3.63] PCD



## ELECTRICAL

<b>Frequency:</b>	0.80 - 6.00 GHz
<b>Gain:</b>	2.0 dBiC Nom.
<b>Polarisation:</b>	Linear (Vertical)
<b>Beamwidth:</b>	360° (Az) x 75° (El) Approx.
<b>Cross Polar:</b>	18 dB Typ.
<b>VSWR:</b>	2.5:1 Max, 1.7:1 Typ.
<b>Power Rating:</b>	100 W
<b>Front to Back:</b>	N/A

## MECHANICAL

<b>Standard Finish:</b>	Olive Drab, RAL6003
<b>Mass:</b>	325 g / 0.715 lbs
<b>Temperature:</b>	-20° to +50°C
<b>Wind Loading:</b>	1.94 Kg / 4.27 lbs @ 100 mph

## MOUNTING OPTIONS

<b>Kits Available:</b>	N/A
------------------------	-----

See Separate Data Sheets

DS: 1666-2    Issued: 041018  
Dimensions: mm [inches]    L

Chelton Limited has a policy of continuous development and stress that the information provided is a guide only and does not constitute an offer or contract or part thereof. Whilst every effort is made to ensure the accuracy of the information contained in this brochure, no responsibility can be accepted for any errors or omissions.

The copyright of antenna designs and images is copyright protected and owned by Chelton Limited.  
©Chelton Limited

For further information please contact: Chelton Limited, Lambda House, Cheveley, Newmarket, Suffolk CB8 9RG, UK.  
T: +44 (0)1638 732 177  
E: newmarket.sales@chelton.com  
W: www.chelton.com/microwave