

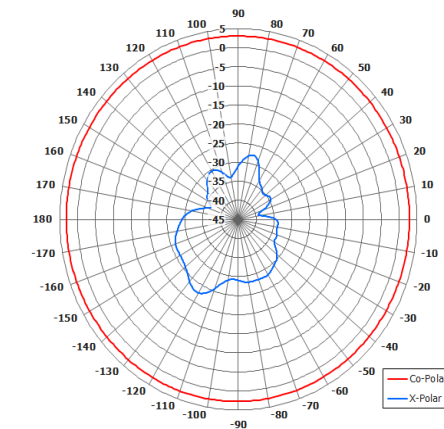
OA2-4.7V/2126

Omni antenna

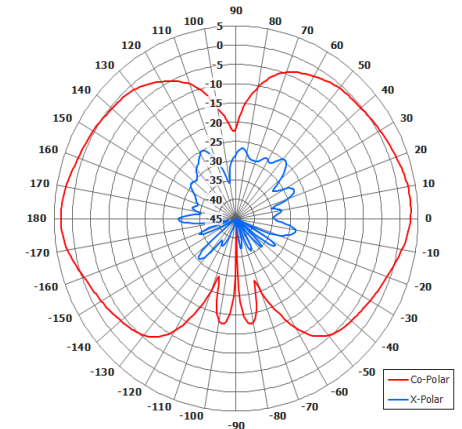


Key Features

- Designed for Security Application
- Suitable for Multiple Applications
- Rugged
- Vertical Polarisation
- Ground Plane Independent



Azimuth Pattern



Elevation Pattern

ELECTRICAL

Frequency	4.40 - 5.00 GHz
Gain	2.5 dBi Typ
Polarisation	Linear (Vertical)
Beamwidth	360° (Az) x 60° (El) Approx
Cross Polar	>20 dB
VSWR	1.5:1
Power Rating	10W
Front to Back	N/A
Electrical Tilt	0°

MECHANICAL

Standard Finish	Matt Black
Mass	60g (2.1 oz)
Temperature	-40° to +60°C
Wind Loading	0.4 Kg (0.9lbs) @ 100mph

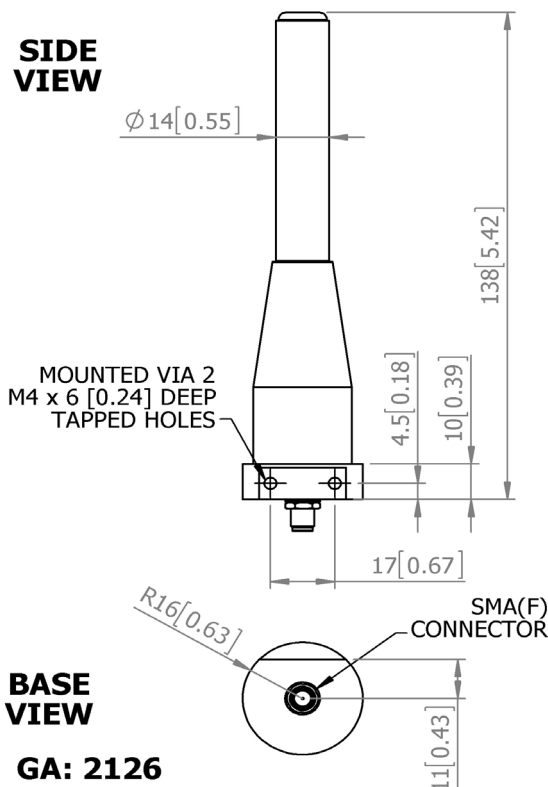
MOUNTING OPTIONS

Kits Available	None
See separate data sheets	

ADDITIONAL NOTES

Issued 060314

SIDE VIEW



BASE VIEW

GA: 2126



Chelton Limited has a policy of continuous development and stress that the information provided is a guide only and does not constitute an offer or contract or part thereof. Whilst every effort is made to ensure the accuracy of the information contained in this brochure, no responsibility can be accepted for any errors or omissions.

The copyright of antenna designs and images is copyright protected and owned by Chelton Limited.
©Chelton Limited

For further information please contact: Chelton Limited, Lambda House, Cheveley, Newmarket, Suffolk CB8 9RG, UK.
T: +44 (0)1638 732 177
E: newmarket.sales@chelton.com
W: www.chelton.com/microwave