

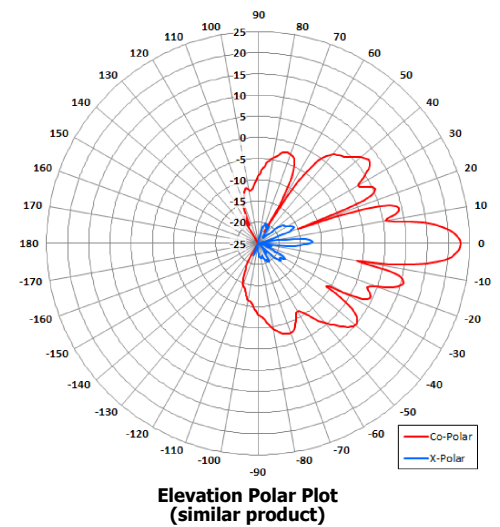
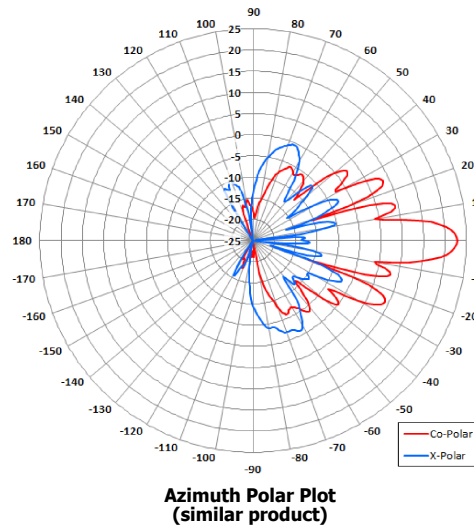
FPA23-109V-D1/192

Flat Panel Antenna

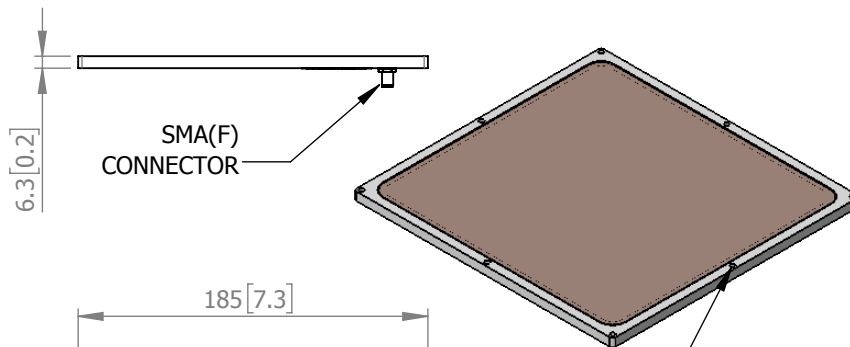


Key Features:

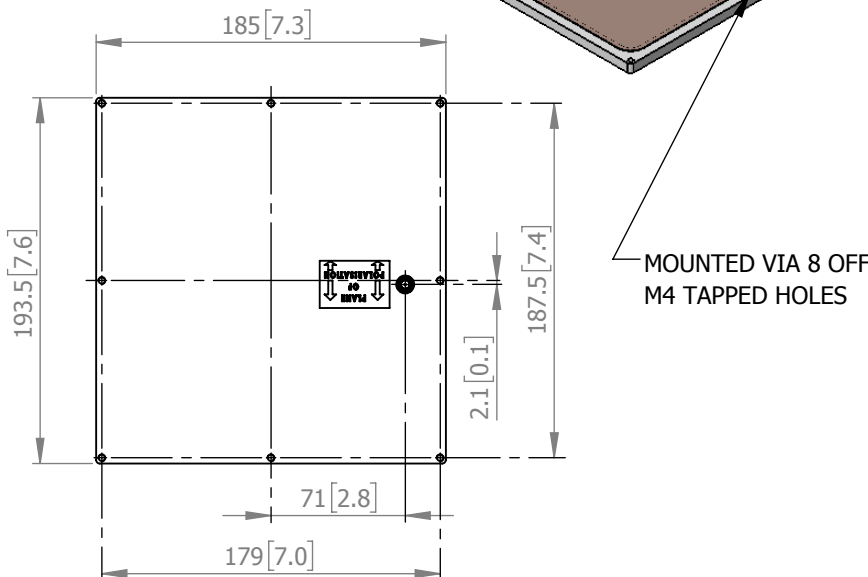
- High Gain
- Low Profile
- Rugged



TOP VIEW



REAR VIEW



ELECTRICAL

Frequency:	10.0 - 11.5 GHz
Gain:	23 dBi
Polarisation:	Linear (Vertical)
Beamwidth:	10° (Az) x 10° (El)
Cross Polar:	20 Db
VSWR:	2:1 Max
Power Rating:	5 W
Front to Back:	40 dB
Electrical Tilt:	N/A

MECHANICAL

Standard Finish:	Dark Brown/Grey Radome
Mass:	0.5 Kg / 1.1 lbs
Temperature:	-20° to +50°C
Wind Loading:	5.8 Kg / 12.8 lbs @ 100 mph

MOUNTING OPTIONS

Kits Available:	N/A
See Separate Data Sheets	

DS: 0192-2 Issued: 070817
 Dimensions: mm [inches] L

Chelton Limited has a policy of continuous development and stress that the information provided is a guide only and does not constitute an offer or contract or part thereof. Whilst every effort is made to ensure the accuracy of the information contained in this brochure, no responsibility can be accepted for any errors or omissions.

The copyright of antenna designs and images is copyright protected and owned by Chelton Limited.
 ©Chelton Limited

For further information please contact: Chelton Limited, Lambda House, Cheveley, Newmarket, Suffolk CB8 9RG, UK.
 T: +44 (0)1638 732 177
 E: newmarket.sales@chelton.com
 W: www.chelton.com/microwave