

# FPA13-84V-T2/1841

Directional Antenna



## Key Features

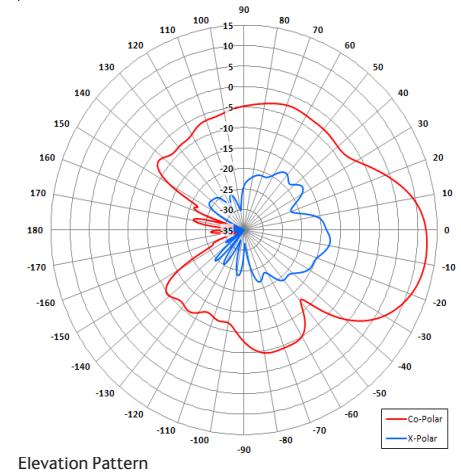
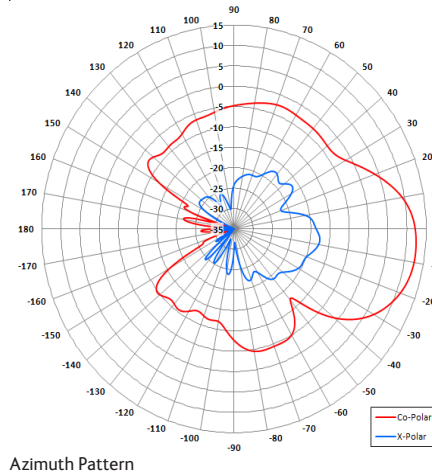
Designed for Security Applications

Compact

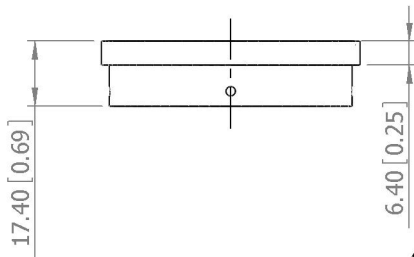
Vertical Polarisation

Rugged

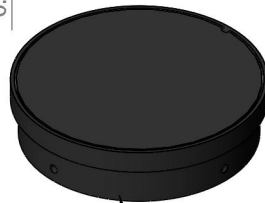
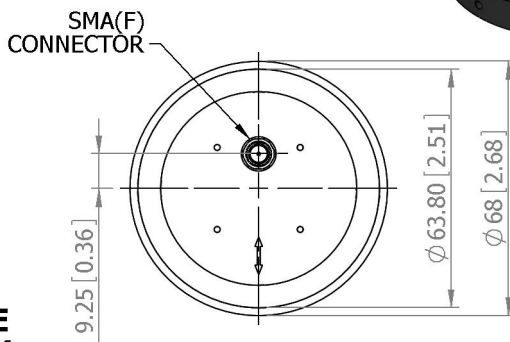
Colour Options



## SIDE VIEW



## BASE VIEW



MOUNTED VIA  
 $\phi 63.8 [2.51]$   
 SPIGOT AND  
 M3 TAPPED HOLES

**GA: 1841**

## ELECTRICAL

Frequency	8.20 - 10.00 GHz
Gain	13 dBi Nom
Polarisation	Linear (Vertical)
Beamwidth	40° (Az) x 40° (El) Approx
Cross Polar	20 dB Typ
VSWR	1.5:1 Typ, 2:1 Max
Power Rating	5 W
Front to Back	20 dB

## MECHANICAL

Standard Finish	Matt Black (Natural Radome)
Mass	100g (3.52 oz)
Temperature	-20° to +50°C
Wind Loading	N/A

## MOUNTING OPTIONS

Kits Available	N/A
See separate data sheets	

## ADDITIONAL NOTES

Issued 180211

Chelton Limited has a policy of continuous development and stress that the information provided is a guide only and does not constitute an offer or contract or part thereof. Whilst every effort is made to ensure the accuracy of the information contained in this brochure, no responsibility can be accepted for any errors or omissions.

The copyright of antenna designs and images is copyright protected and owned by Chelton Limited.  
 ©Chelton Limited

For further information please contact:

Chelton Limited,  
 Lambda House, Cheveley,  
 Newmarket, Suffolk CB8 9RG, UK.

T: +44 (0)1638 732 177

E: [newmarket.sales@chelton.com](mailto:newmarket.sales@chelton.com)

W: [www.chelton.com/microwave](http://www.chelton.com/microwave)