



EUROPEAN ANTENNAS

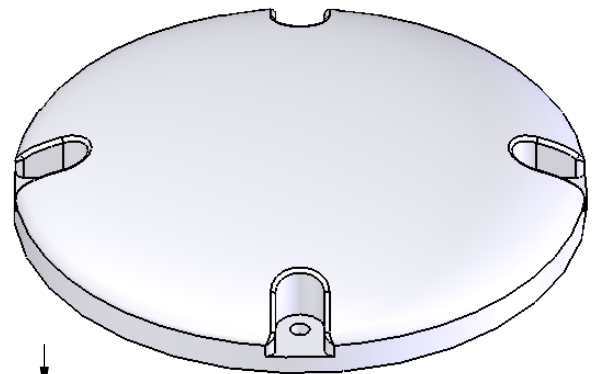
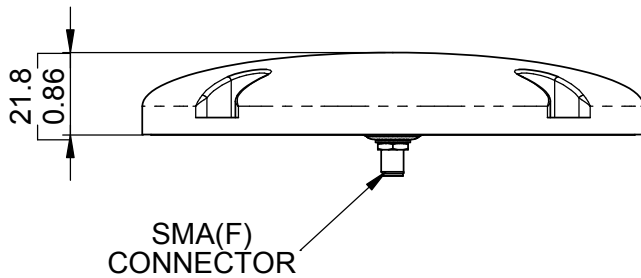
Excellence through design
Creative in concept

FLAT PANEL ANTENNA

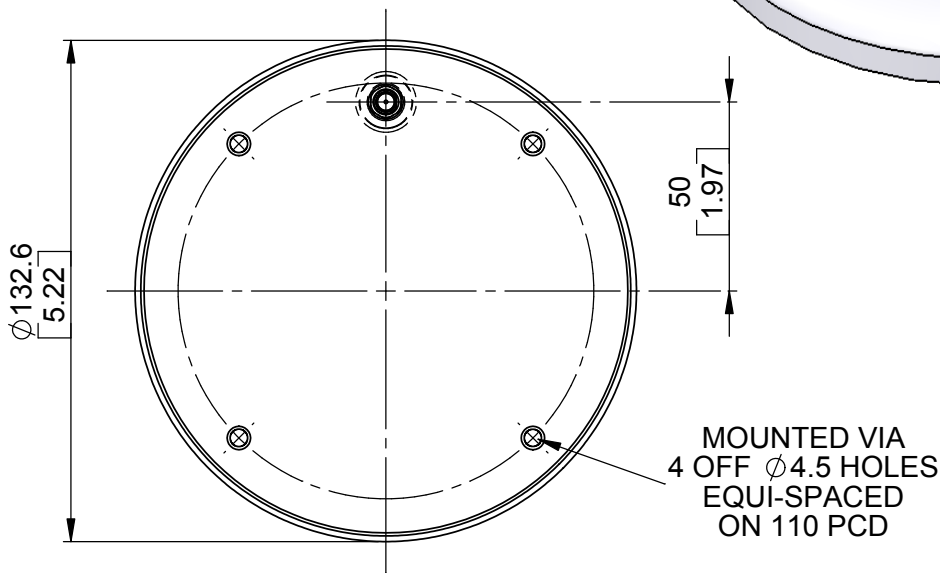
MODEL: FPA9-2.0V/9003

FREQUENCY:	1.92 - 2.17 GHz	GAIN:	8.6 dBi Nominal
POLARISATION:	Linear (Vertical)	BEAMWIDTH:	70° (Az) x 60° (El) Approx.
CROSS POLAR:	20 dB Typical	VSWR:	2:1 Max, 1.5:1 Typ.
POWER RATING:	25 W	FRONT TO BACK:	>20 dB
TEMPERATURE:	-20° to +50°C	MASS:	130 g / 0.29 lbs Approx.
STANDARD FINISH:	Gloss White	WIND LOADING:	N/A

SIDE VIEW



ISOMETRIC VIEW



BASE VIEW

GA:9003-1 | Issued: 060307 | DIMENSIONS: mm (inches) | H

EUROPEAN ANTENNAS LTD.
LAMBDA HOUSE, CHEVELEY
NEWMARKET, SUFFOLK, CB8 9RG,
UNITED KINGDOM



Certificate No 9268

Tel: +44 (0)1638 731888
Fax: +44 (0)1638 731999
E-Mail: sales@european-antennas.co.uk
Website: www.european-antennas.co.uk