

SECTOR ANTENNA SA12-120-1.7V/1609

ELECTRICAL

FREQUENCY:	1.50 - 1.80 GHz
GAIN:	11.4 dBi Typ.
POLARISATION:	Linear (Vertical)
BEAMWIDTH:	112° (Az) x 16.5° (El) Approx.
CROSS POLAR:	>20 dB
VSWR:	1.5:1
POWER RATING:	50 W
FRONT TO BACK:	>17dB
ELECTRICAL TILT:	-

MECHANICAL

STANDARD FINISH:	Matt Black
MASS:	1.5 kg / 3.3 lbs
TEMPERATURE:	-40° to +60°C
WIND LOADING:	13.8 kg / 30.4 lbs @ 100 mph

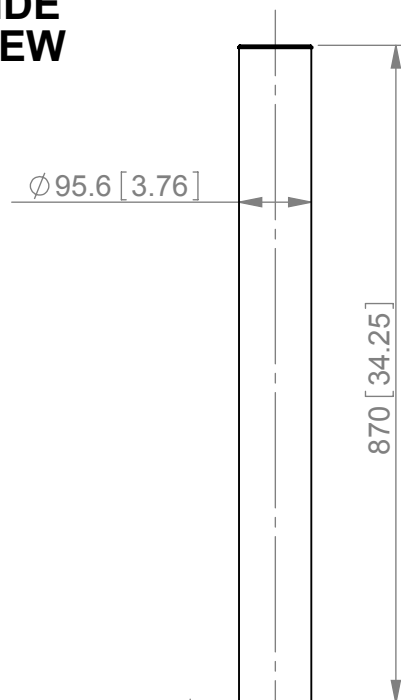
MOUNTING OPTIONS

KITS AVAILABLE: 154A

See Separate Data Sheets

GA: 1609-1 Issued: 140109
DIMENSIONS: mm [inches] M

SIDE VIEW



ISOMETRIC VIEW

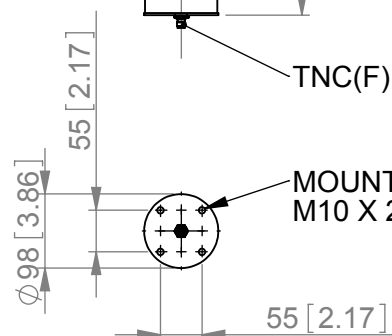


SHOWN WITH OPTIONAL
MOUNTING KIT 154A,
FOR 2" POLES

TNC(F) CONNECTOR

MOUNTING VIA 4 HOLES
M10 X 20 DEEP

BASE VIEW



SA12-120-1.7V/1609

European Antennas Ltd. has a policy of continuous development and therefore stress that the data contained on this sheet should be used for guidance only.

European Antennas Ltd is part of Cobham Defence Electronic Systems



Certificate No 9268

European Antennas Ltd
Lambda House, Cheveley
Newmarket, Suffolk, CB8 9RG, UK
Tel: +44 (0)1638 731888
sales@european-antennas.co.uk
www.european-antennas.co.uk