

SECTOR ANTENNA SA9-200-1.3V/1578



ELECTRICAL

FREQUENCY:	1.15 - 1.45 GHz
GAIN:	9.0 dBi Typical
POLARISATION:	Linear (Vertical)
BEAMWIDTH:	200° (Az) x 18° (El) Approx.
CROSS POLAR:	>25 dB Typical
VSWR:	2:1 Max. 1.5:1 Typ.
POWER RATING:	50 W
FRONT TO BACK:	>7.5 dB Typical

MECHANICAL

STANDARD FINISH:	Matt Black
MASS:	1.6 kg / 3.52 lbs
TEMPERATURE:	-40° to +60°C
WIND LOADING:	11 kg / 24 lbs @ 100 mph

MOUNTING OPTIONS

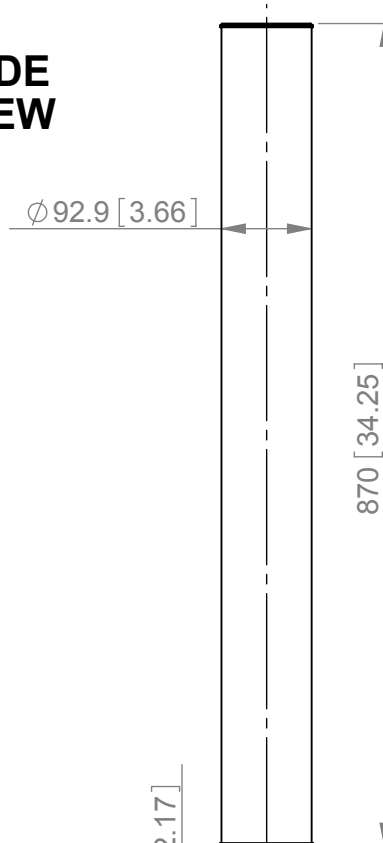
KITS AVAILABLE: 154A

See Separate Data Sheets

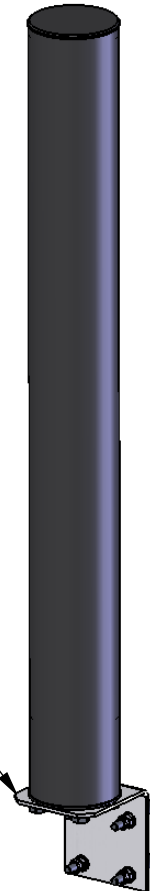
GA: 1578-2 Issued: 041108

DIMENSIONS: mm [inches]

**SIDE
VIEW**



**ISOMETRIC
VIEW**

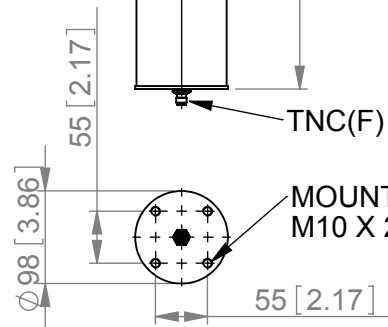


SHOWN WITH OPTIONAL
MOUNTING KIT 154A,
FOR 2" POLES

TNC(F) CONNECTOR

MOUNTING VIA 4 HOLES
M10 X 20 DEEP

**BASE
VIEW**



SA9-200-1.3V/1578

European Antennas Ltd. has a policy of continuous development and therefore stress that the data contained on this sheet should be used for guidance only.

European Antennas Ltd. is part of the Cobham Antennas Division



Certificate No 9268

European Antennas Ltd
Lambda House, Cheveley
Newmarket, Suffolk, CB8 9RG, UK
Tel: +44 (0)1638 731888
sales@european-antennas.co.uk
www.european-antennas.co.uk