

DUAL BAND FLAT PANEL ANTENNA

DFPA15-1.8R-2.5R/1391



ELECTRICAL

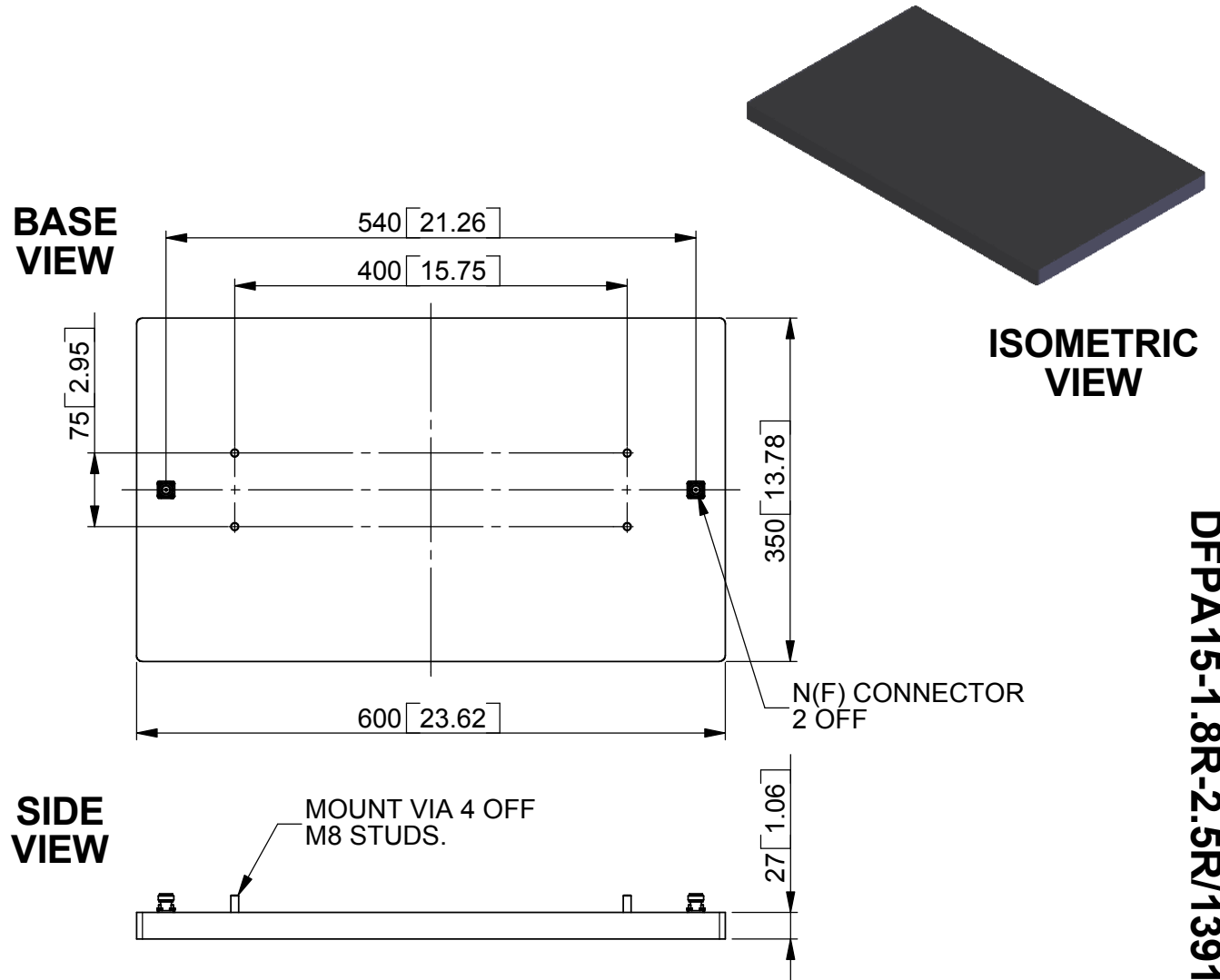
FREQUENCY:	1.79-1.87 GHz + 2.48-2.58 GHz
GAIN:	14.0 dBi Nominal
POLARISATION:	Right Hand Circular
BEAMWIDTH:	30° (Az) x 30° (El) Approx. both ports
AXIAL RATIO:	<3 dB
VSWR:	<1.3:1
POWER RATING:	100 W
FRONT TO BACK:	>30 dB
STANDARD FINISH:	Matt Black

MECHANICAL

MASS:	4 kg / 8.8 lbs
TEMPERATURE:	-40° to +60°C
WIND LOADING:	36.9 kg / 81.21 lbs @ 100 mph

MOUNTING OPTIONS

KITS AVAILABLE: N/A
See Separate Data Sheets



DFPA15-1.8R-2.5R/1391

GA: 1391-1 Issued: 260407
DIMENSIONS: mm [inches]

European Antennas Ltd. has a policy of continuous development and therefore stress that the data contained on this sheet should be used for guidance only.

European Antennas Ltd. is part of the Cobham Antennas Division



Certificate No 9268

European Antennas Ltd
Lambda House, Cheveley
Newmarket, Suffolk, CB8 9RG, UK
Tel: +44 (0)1638 731888
sales@european-antennas.co.uk
www.european-antennas.co.uk