



# EUROPEAN ANTENNAS

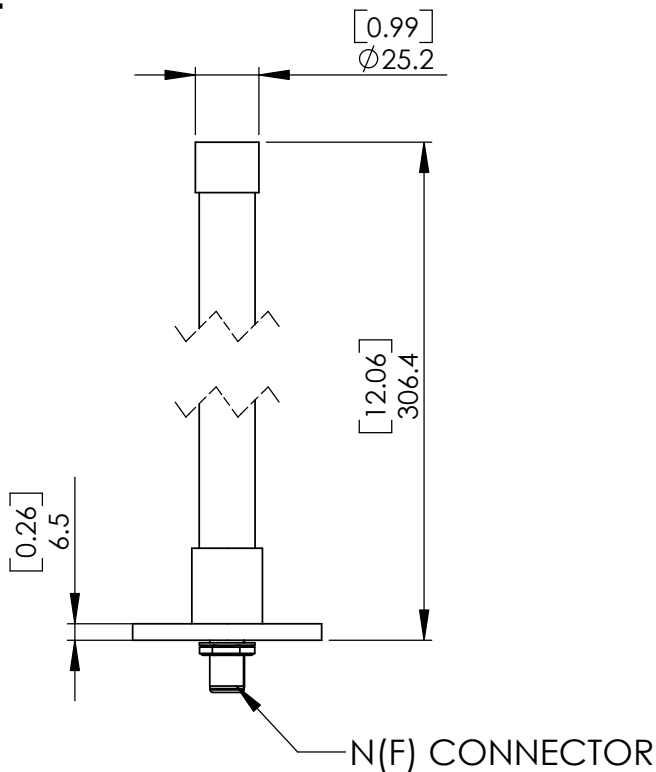
Excellence through design  
Creative in concept

## VERTICALLY POLARISED OMNI ANTENNA

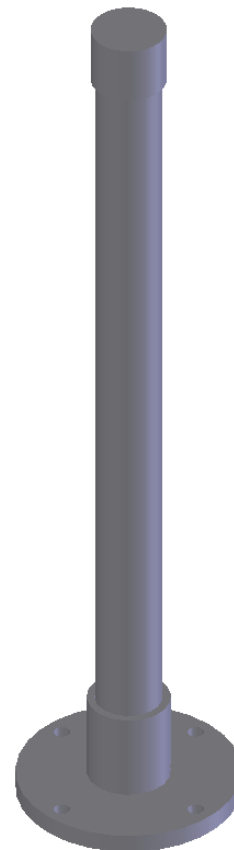
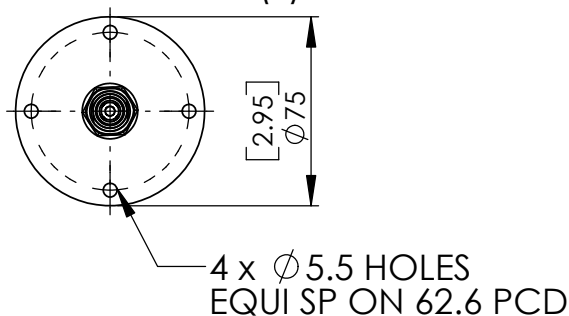
### MODEL: OA4-2.0V/1375

<b>FREQUENCY:</b>	1.92 - 2.17 GHz	<b>GAIN:</b>	3.6 dBi Nominal
<b>POLARISATION:</b>	Linear (Vertical)	<b>BEAMWIDTH:</b>	360° (Az) x 40° (El) Approx
<b>CROSS POLAR:</b>	>25 dB	<b>VSWR:</b>	2:1 Maximum
<b>POWER RATING:</b>	50 W	<b>FRONT TO BACK:</b>	N/A
<b>TEMPERATURE:</b>	-40° to +60°C	<b>MASS:</b>	260 g/9 oz
<b>FINISH:</b>	Matt black	<b>WIND LOADING:</b>	1.3 Kg / 2.8 lbs @ 100 mph

### FRONT VIEW



### BASE VIEW



### ISOMETRIC VIEW

GA: 1375-1 | Issued: 030207 | DIMENSIONS: mm (inches) | M

EUROPEAN ANTENNAS LTD.  
LAMBDA HOUSE, CHEVELEY  
NEWMARKET, SUFFOLK, CB8 9RG,  
UNITED KINGDOM



Certificate No 9268

Tel: +44 (0)1638 731888  
Fax: +44 (0)1638 731999  
E-Mail: sales@european-antennas.co.uk  
Website: www.european-antennas.co.uk