



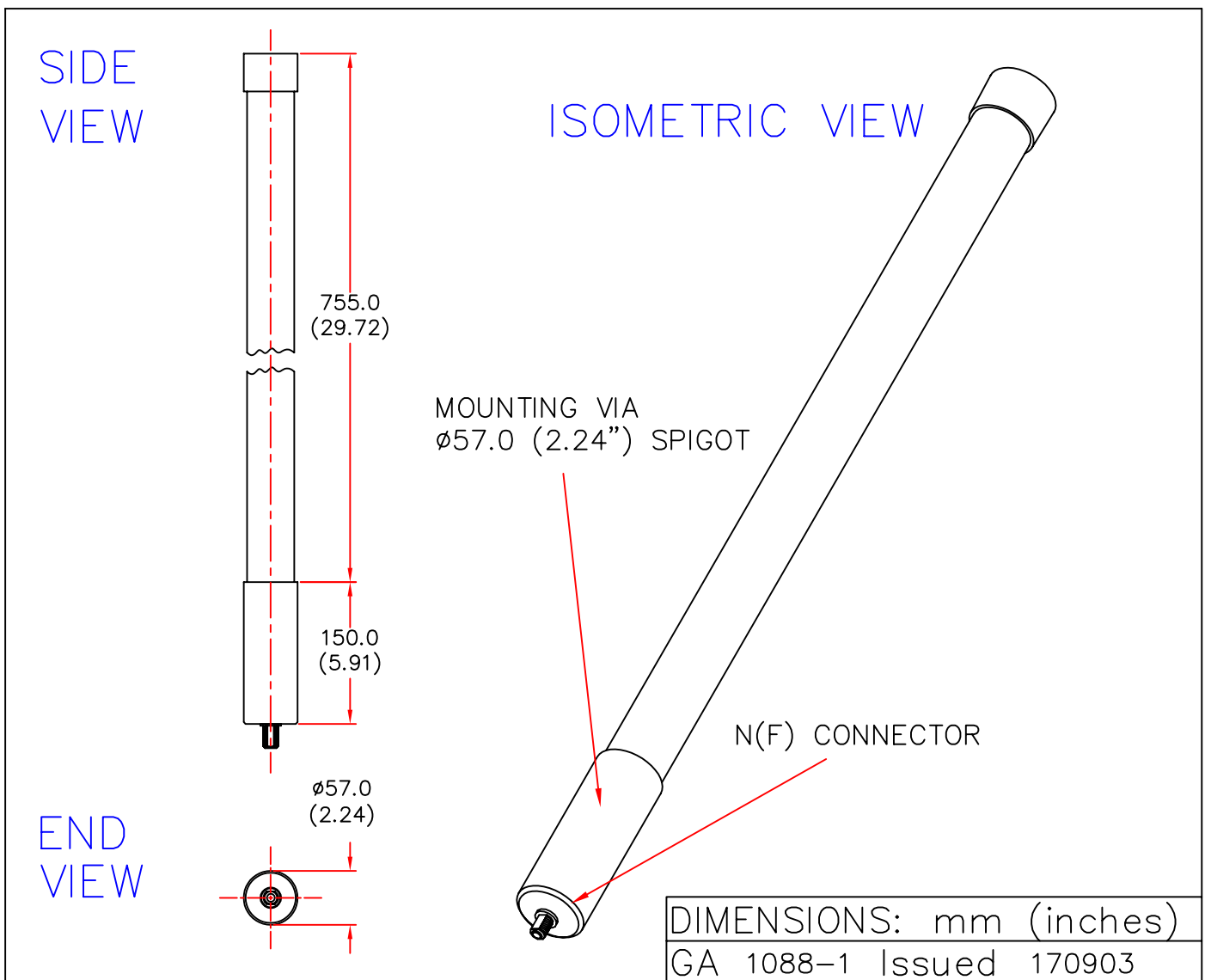
EUROPEAN ANTENNAS



VERTICALLY POLARISED OMNI ANTENNA

MODEL: VOA7-1373/1088

FREQUENCY: 1.330 – 1.415 GHz	GAIN: 7 dBi
POLARISATION: Linear (Vertical)	BEAMWIDTH: 360° x 20°
CROSS POLAR: 20 dB	VSWR: 1.5 : 1
POWER RATING: 25 W	FRONT TO BACK: N/A
TEMPERATURE: -20°C to +50°C	MASS: 2.0 Kg/4.4 lbs
RADOME: Glass Fibre/Matt Black	WIND LOADING: 8.4Kg/18.4lbs @100mph



EUROPEAN ANTENNAS LTD.

TEL: +44 (0)1638 731888

LAMBDA HOUSE, CHEVELEY,
NEWMARKET, SUFFOLK, CB8 9RG,
UNITED KINGDOM.

FAX: +44 (0)1638 731999

European Antennas Ltd. has a policy of continuous development and therefore stress that the data contained on this sheet should be used for guidance only.