



EUROPEAN ANTENNAS

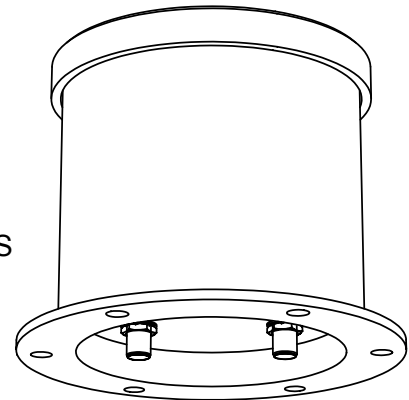
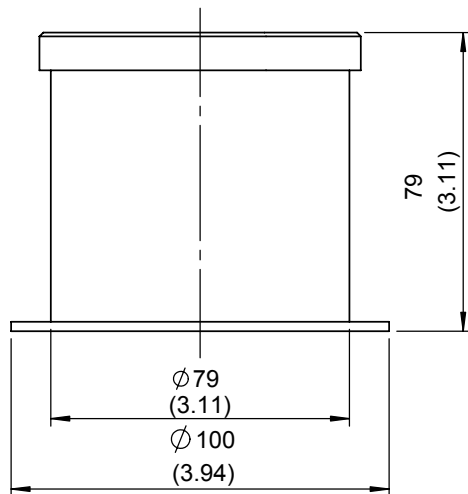
Excellence through design
Creative in concept

HEMI OMNI ANTENNA

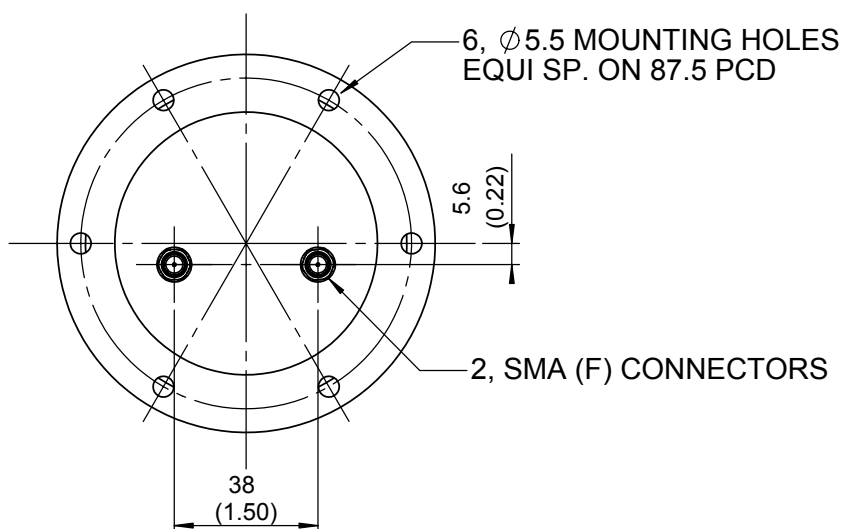
MODEL: HOA2-15RL/980

FREQUENCY:	1.45 - 1.50 GHz	GAIN:	4 dBiC Typical
POLARISATION:	Dual Circular (R & L)	BEAMWIDTH:	360° (Az.) x Approx. 150° (El.)
AXIAL RATIO:	2.5 dB Typical above 20°	VSWR:	1.5 : 1
POWER RATING:	2 x 20 W	FRONT TO BACK:	N/A
TEMPERATURE:	-40° to +60°C	MASS:	175g / 6.2 oz
FINISH:	Gloss White	WIND LOADING:	1 Kg / 2.2 lbs @ 100 mph

SIDE VIEW



PICTORIAL VIEW



BASE VIEW

DIMENSIONS: mm (inches)	L
GA: 0980 - 1	Issued: 020103

EUROPEAN ANTENNAS LTD.

Tel: +44 (0)1638 731888
Fax: +44 (0)1638 731999

LAMBDA HOUSE, CHEVELEY
NEWMARKET, SUFFOLK, CB8 9RG,
UNITED KINGDOM

E-Mail: sales@european-antennas.co.uk
Website: www.european-antennas.co.uk