



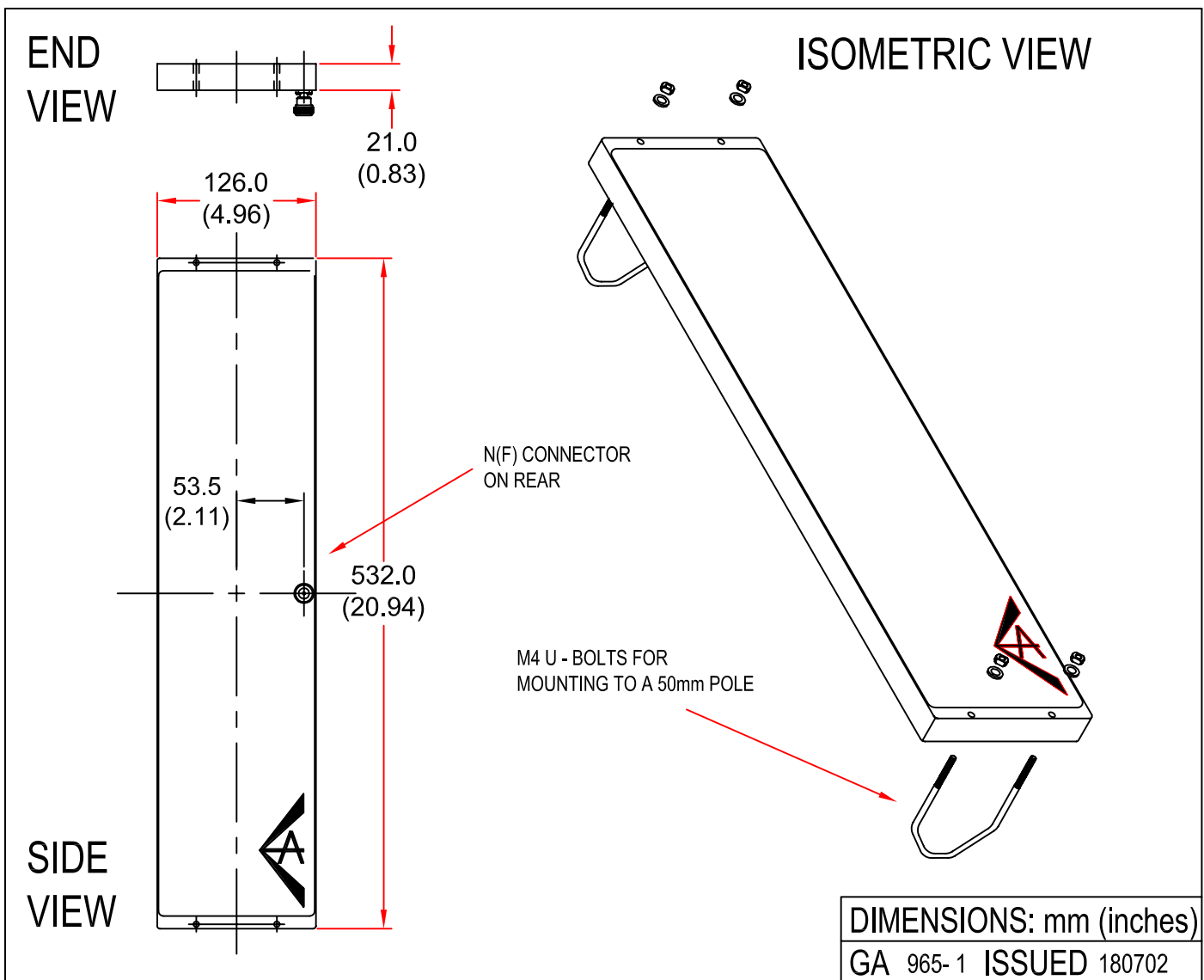
EUROPEAN ANTENNAS



SECTOR ANTENNA

MODEL: SA13-15L/965

FREQUENCY:	1.40 - 1.50 GHz	GAIN:	13 dBiC
POLARISATION:	L.H. Circular	BEAMWIDTH:	80° x 20°
AXIAL RATIO:	2 dB Typical	VSWR:	1.5 : 1
POWER RATING:	25 W	FRONT TO BACK:	20 dB
TEMPERATURE:	-20°C to +50°C	MASS:	2 Kg/4.4 lbs
RADOME:	Glass Fibre/Gloss White	WIND LOADING:	10.8Kg/23.9lbs @100mph



EUROPEAN ANTENNAS LTD.

TEL: +44 (0)1638 731888
FAX: +44 (0)1638 731999

LAMBDA HOUSE, CHEVELEY,
NEWMARKET, SUFFOLK, CB8 9RG,
UNITED KINGDOM.

E-Mail: sales@european-antennas.co.uk
Website: www.european-antennas.co.uk

European Antennas Ltd. has a policy of continuous development and therefore stress that the data contained on this sheet should be used for guidance only.