



EUROPEAN ANTENNAS

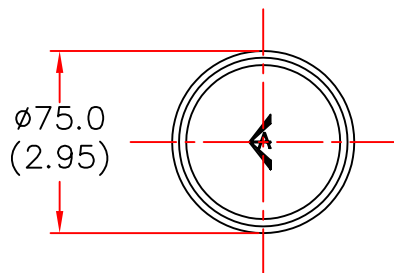


HEMI OMNI ANTENNA

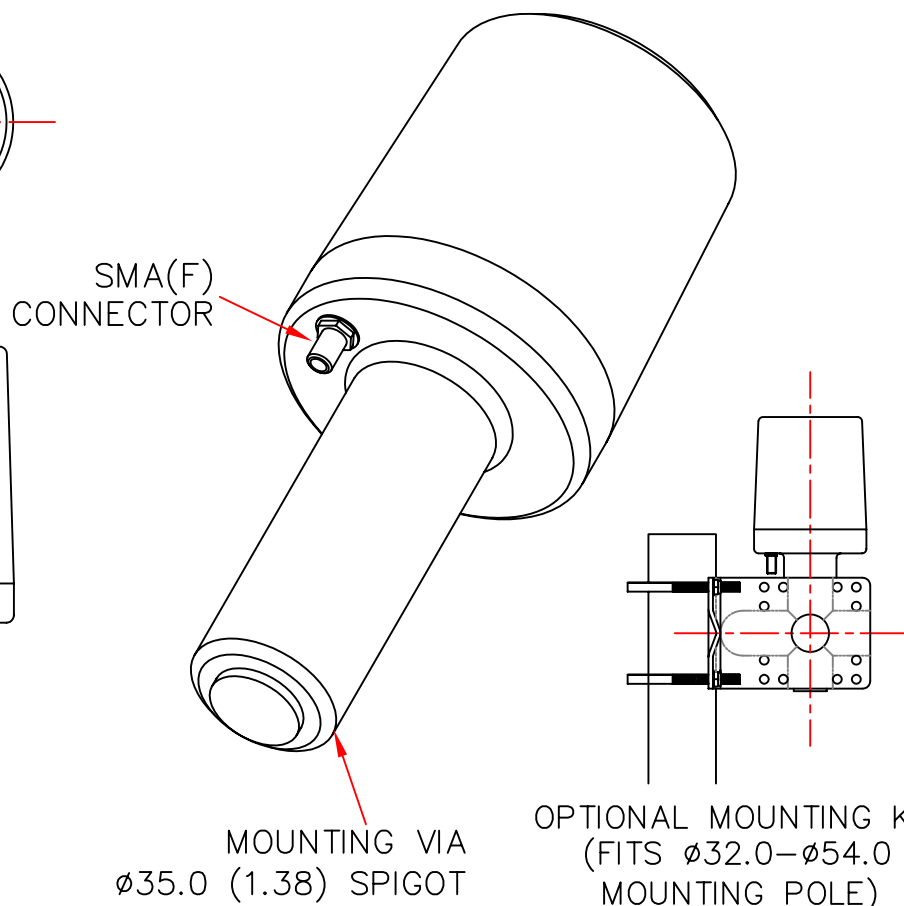
MODEL: HOA3-15R-SMA/514

FREQUENCY: 1.420-1.555 GHz	GAIN: 2 dBiC
POLARISATION: R.H. Circular	BEAMWIDTH: 150° X 150°
AXIAL RATIO: 2dB Typical	VSWR: 2.0 : 1
POWER RATING: 15 W	FRONT TO BACK: 10 dB
TEMPERATURE: -20°C to +35°C	MASS: 850 g/30 oz
FINISH: WHITE MARINE PAINT ALL OVER	WIND LOADING: 1.5Kg/3.3lbs @100mph

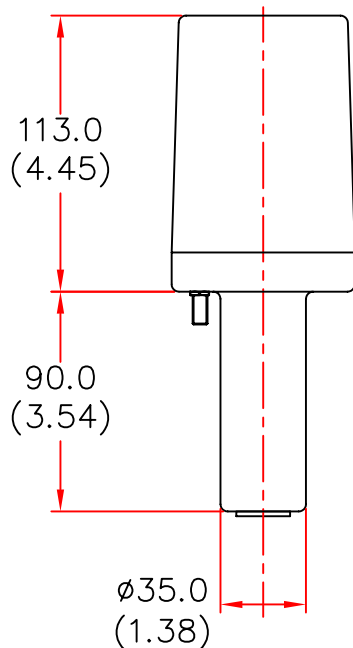
END VIEW



ISOMETRIC VIEW



SIDE VIEW



DIMENSIONS: mm (inches)

GA 514-1 Issued 230499

EUROPEAN ANTENNAS LTD.

TEL: +44 (0)1638 731888

LAMBDA HOUSE, CHEVELEY,
NEWMARKET, SUFFOLK, CB8 9RG,
UNITED KINGDOM.

FAX: +44 (0)1638 731999

European Antennas Ltd. has a policy of continuous development and therefore stress that the data contained on this sheet should be used for guidance only.