



# EUROPEAN ANTENNAS

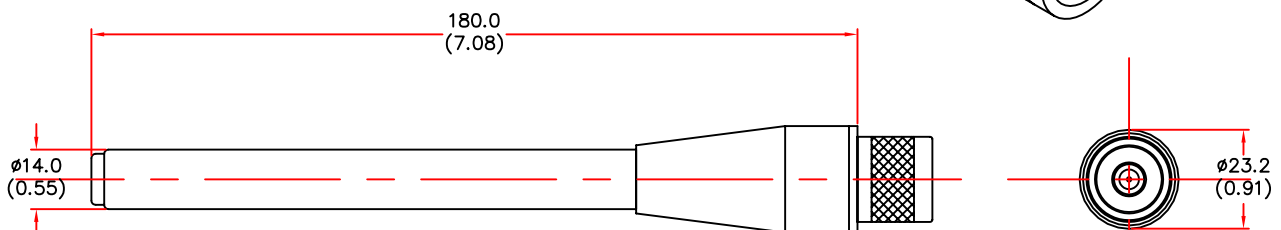
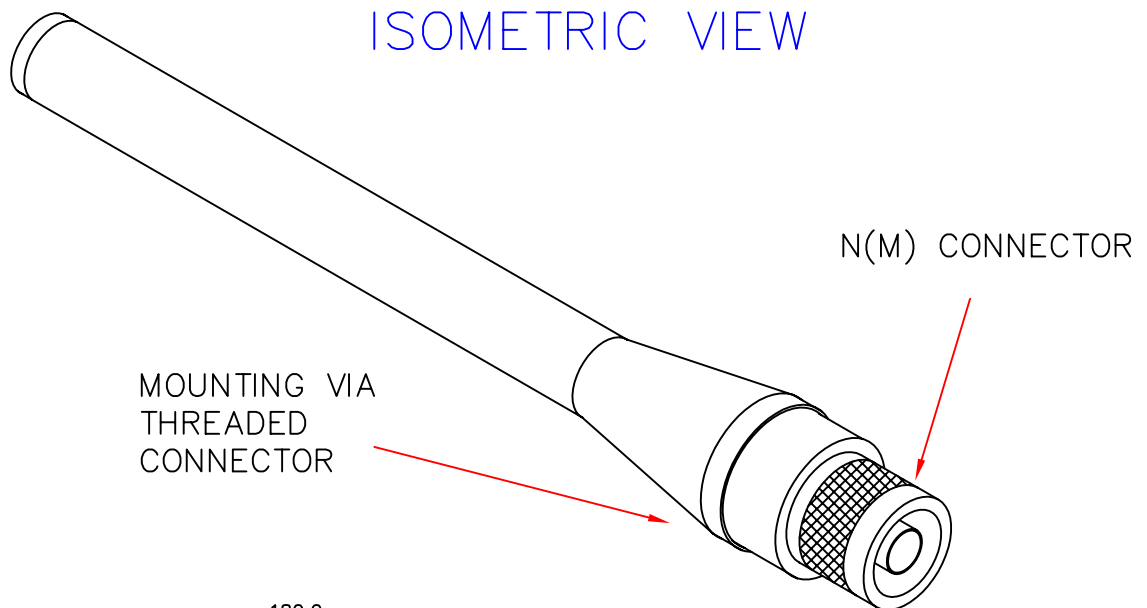


## PCS1900 RUGGED DIPOLE ANTENNA

MODEL: EVD2-1800/595

FREQUENCY: 1.71 – 1.88 GHz	GAIN: 2 dBi
POLARISATION: Vertically	BEAMWIDTH: 360° x 60°
CROSS POLAR: 15 dB	VSWR: 2.0 : 1 into 50 Ohms
POWER RATING: 25 W	FRONT TO BACK: N/A
TEMPERATURE: -20°C to +50°C	MASS: 90 g/3 oz
RADOME: Glass Fibre (Matt Black)	WIND LOADING: 0.46Kg/1.0lbs @100mph

### ISOMETRIC VIEW



### SIDE VIEW

### END VIEW

DIMENSIONS: mm (inches)

GA 595-1 Issued 250899

EUROPEAN ANTENNAS LTD.

TEL: +44 (0)1638 731888

LAMBDA HOUSE, CHEVELEY,  
NEWMARKET, SUFFOLK, CB8 9RG,  
UNITED KINGDOM.

FAX: +44 (0)1638 731999

European Antennas Ltd. has a policy of continuous development and therefore stress that the data contained on this sheet should be used for guidance only.