



EUROPEAN ANTENNAS

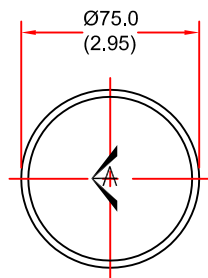
Excellence through design
Creative in concept



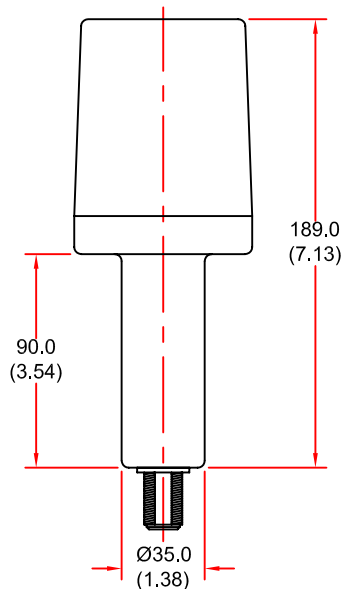
HEMI OMNI ANTENNA

MODEL: HOA3-15R/172

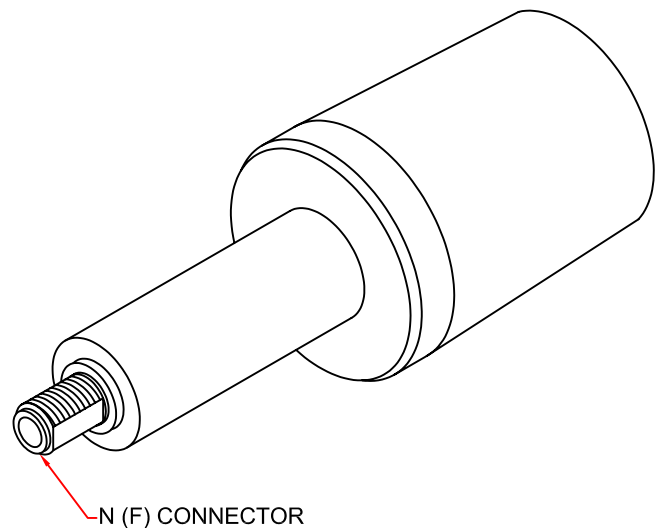
FREQUENCY:	1.38 - 1.71 GHz	GAIN:	3 dBiC Nominal
POLARISATION:	R.H. Circular	BEAMWIDTH:	150° x 150°
AXIAL RATIO:	3 dB Typical	VSWR:	2 : 1
POWER RATING:	10 W	FRONT TO BACK:	N/A
TEMPERATURE:	-20°C to + 50°C	MASS:	250 g/9 oz
RADOME:	Beige Polypropylene	WIND LOADING:	1.42 Kg/3.1 lbs @ 100mph



PLAN VIEW



SIDE VIEW



ISOMETRIC VIEW

DIMENSIONS: mm (inches)

GA 172-2 Issued 200301

EUROPEAN ANTENNAS LTD.

LAMBDA HOUSE, CHEVELEY,
NEWMARKET, SUFFOLK, CB8 9RG,
UNITED KINGDOM.

TEL: +44 (0)1638 731888

FAX: +44 (0)1638 731999

E-Mail: sales@european-antennas.co.uk

Website: www.european-antennas.co.uk