

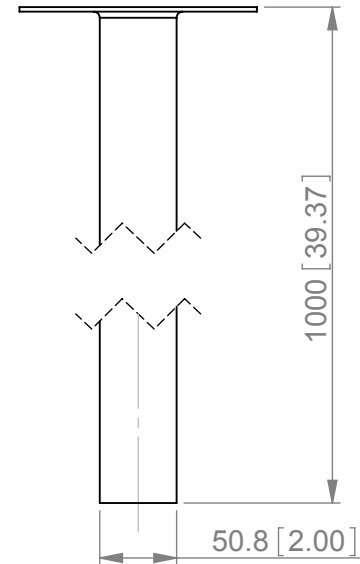
OMNI ANTENNA MOUNT XPO2V-0.3-10.0 MOUNT/120A

SPECIFICATION

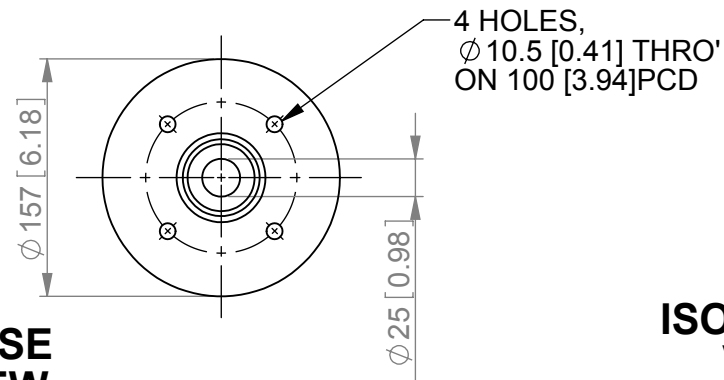
MOUNTING:	Via U-Bolts/Clamps - Not Supplied
EL. ADJUSTMENT:	None
AZ. ADJUSTMENT:	Via rotation of pole
MATERIAL:	Aluminium Mount Stainless Steel Fasteners
FINISH:	Alocrom 1200
MASS:	1.5 Kg / 3.3 lbs

DESIGNED TO FIT XPO2V-0.3-10.0/1381

**SIDE
VIEW**



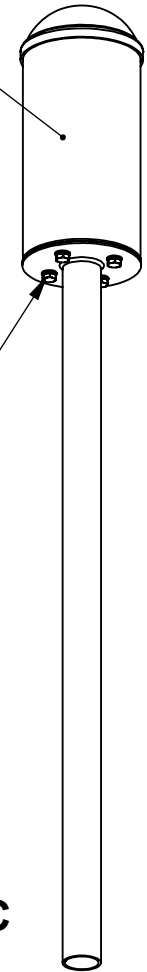
**BASE
VIEW**



SHOWN FITTED
TO 1381B ANTENNA -
SOLD SEPERATELY

SUPPLIED WITH
M10 FASTENERS

**ISOMETRIC
VIEW**



XPO2V-0.3-10.0 MOUNT/120A

GA: 120A-1 Issued: 160309
DIMENSIONS: mm [inches] M

European Antennas Ltd. has a policy of continuous development and therefore stress that the data contained on this sheet should be used for guidance only.

European Antennas Ltd is part of Cobham Defence Electronic Systems



Certificate No 9268

European Antennas Ltd
Lambda House, Cheveley
Newmarket, Suffolk, CB8 9RG, UK
Tel: +44 (0)1638 731888
sales@european-antennas.co.uk
www.european-antennas.co.uk