

FPA17-1.6R/1359

Directional Antenna

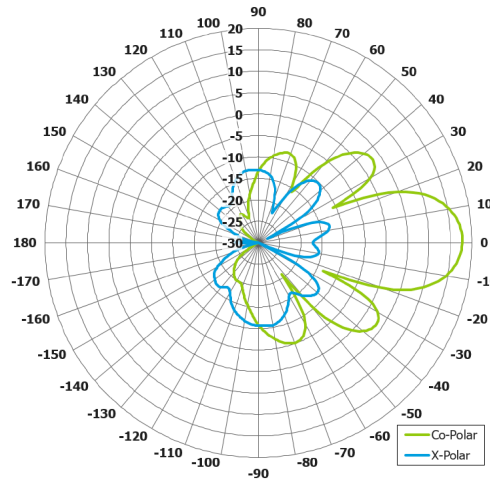
Key Features:

Designed for Inmarsat and Thuraya Satellite Networks

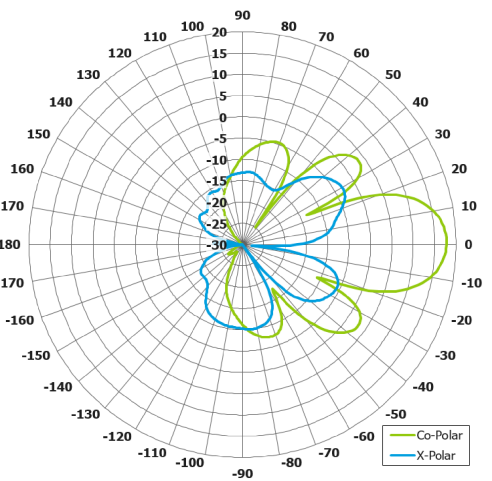
Right hand circular polarisation

Low profile and lightweight design

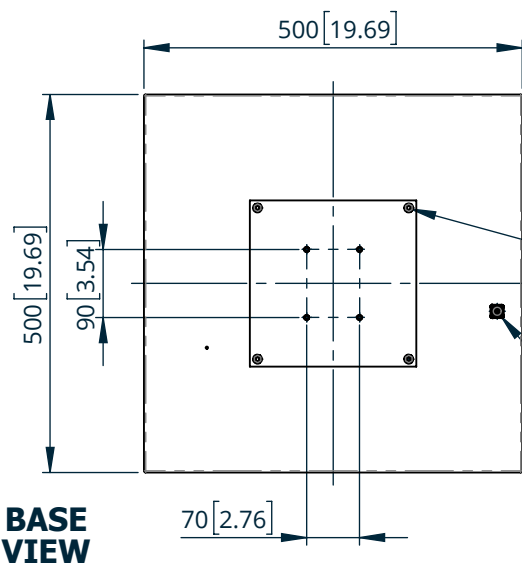
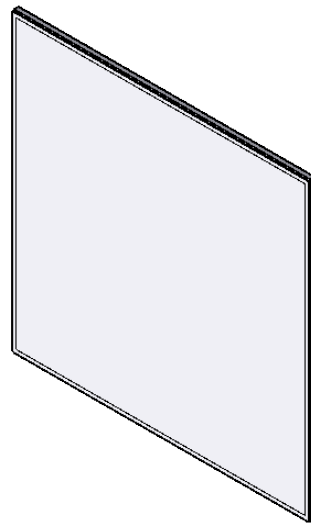
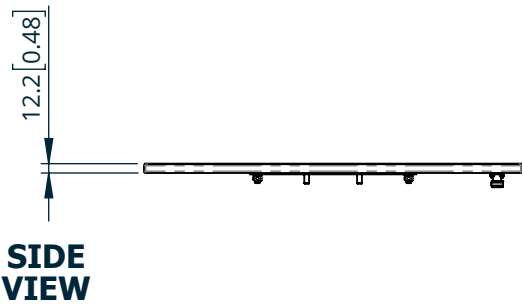
Suitable for mobile applications



Azimuth Polar Plot



Elevation Polar Plot



MOUNTED VIA 4 OFF
1/4" UNC x 1/2" LONG STUDS

N(F) CONNECTOR

ELECTRICAL

Frequency: 1.5250 to 1.6605 GHz

Gain: 17 dBiC Typ.

Polarisation: Right hand circular

Beamwidth: 21° x 21° Typ.

Axial Ratio: <2 dB Typ.

VSWR: 1.5:1 Max.

Power Rating: 10 W

MECHANICAL

Standard Finish: White

Mass: 1.7 Kg / 3.7 lbs

Temperature: -50 to +60°C Operating

-50 to +80°C Storage

Wind Loading: Will survive 100mph (160 kph) winds

MOUNTING OPTIONS

Kits Available: MK8

See separate datasheet

Full radiation patterns and CAD available on request

DS: 1359-4

Issued: 240521

Dimensions: mm [inches]