

# XPO2V-1.0-6.0/1442

## Omni Antenna

### Key Features:

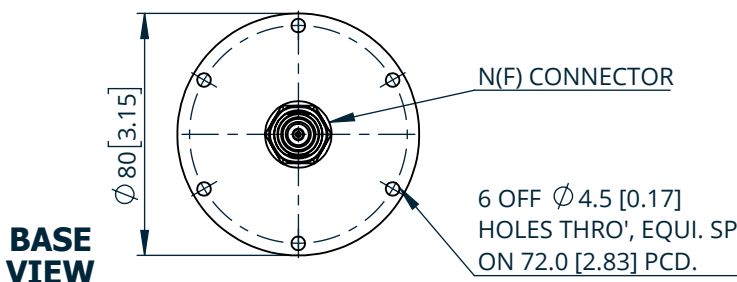
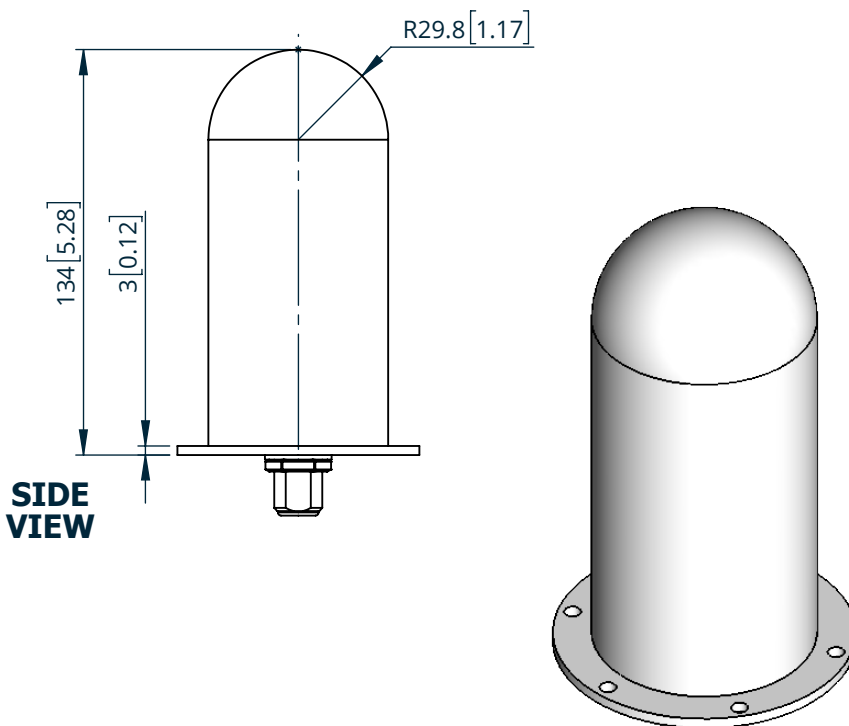
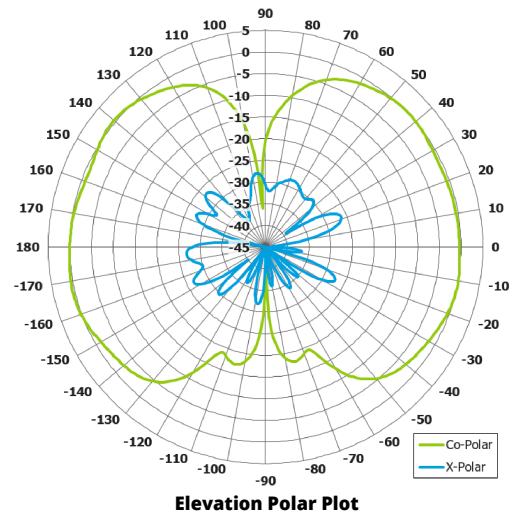
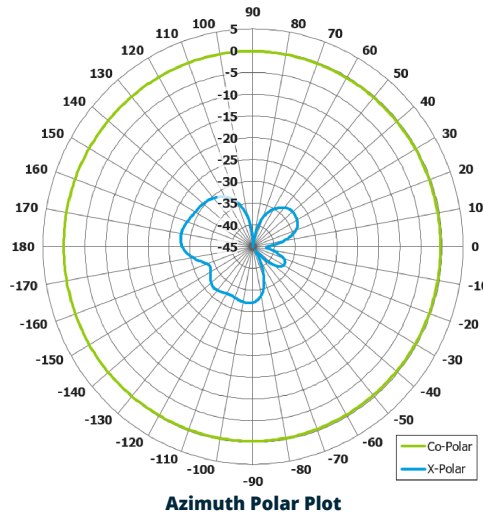
Designed for security applications

Ultra wideband

High power

Lightweight

Low windloading



### ELECTRICAL

<b>Frequency:</b>	1 to 6 GHz
<b>Gain:</b>	-2 to 3 dBi Typ.
<b>Polarisation:</b>	Vertical
<b>Beamwidth:</b>	360° x 30 to 100° Typ.
<b>Cross Polar:</b>	>20 dB Typ.
<b>VSWR:</b>	2:1 Typ, 3:1 Max.
<b>Power Rating:</b>	40 W

### MECHANICAL

<b>Standard Finish:</b>	White
<b>Mass:</b>	0.19 Kg / 0.42 lbs
<b>Temperature:</b>	-40 to +70°C
<b>Wind Loading:</b>	38 N @ 100 mph

Full radiation patterns and CAD available on request

DS: 1442-4

Issued: 250521

Dimensions: mm [inches]