

# FPA14-1385V/1105

## Directional Antenna

### Key Features:

Designed for commercial applications

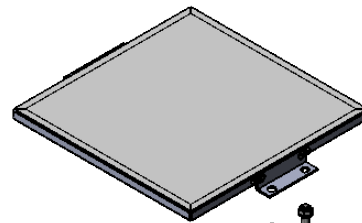
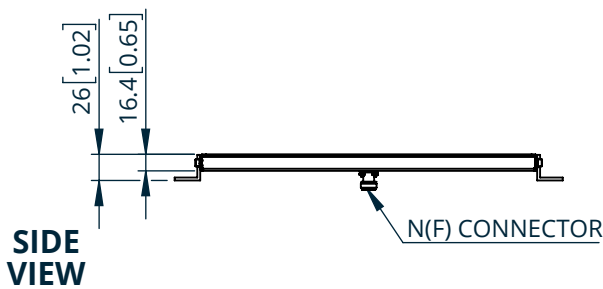
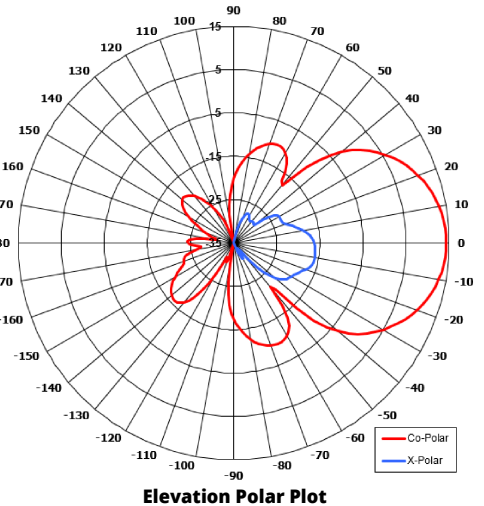
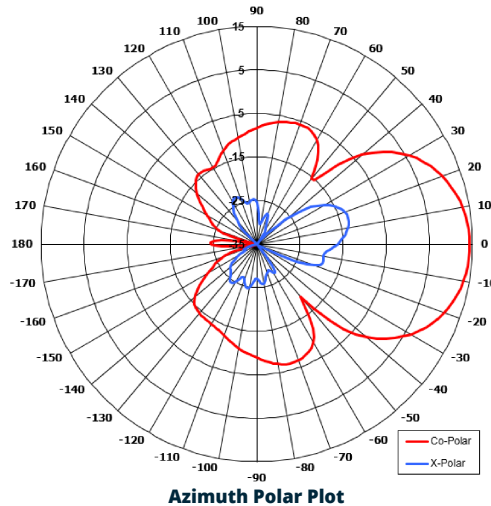
Suitable for multiple applications

Directional pattern

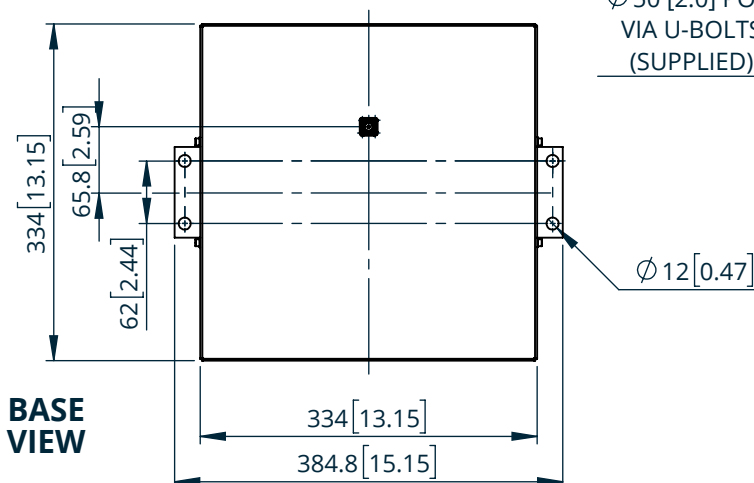
Vertical polarisation

Rugged

Conforms to ETSI EN 300-631-1



MOUNTED TO  
Ø 50 [2.0] POLE  
VIA U-BOLTS  
(SUPPLIED)



### ELECTRICAL

**Frequency:** 1.30 to 1.47 GHz

**Gain:** 14 dBi Typ.

**Polarisation:** Vertical

**Beamwidth:** 40° x 35°

**Cross Polar:** >20 dB Typ.

**VSWR:** 2:1 Max.

**Power Rating:** 100 W

**Front to Back:** 30 dB Min.

### MECHANICAL

**Standard Finish:** Grey

**Mass:** 1.0 Kg / 2.2 lbs

**Temperature:** -40 to +50°C

**Wind Loading:** 178 @ 100 mph

Full radiation patterns and CAD available on request

**DS:** 1105-3

**Issued:** 090621

Dimensions: mm [inches]