

FPA7-1.7-6.0R/2293

Wideband Directional Antenna



Key Features

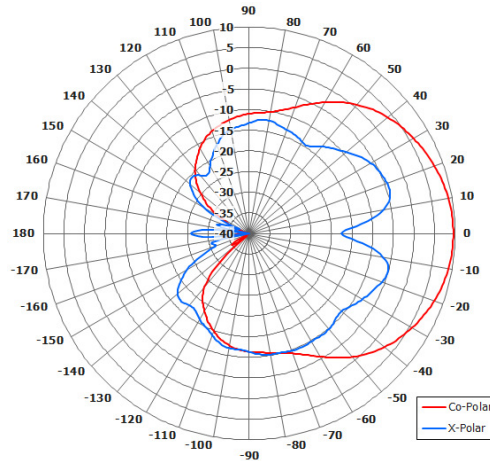
Designed for Surveillance and Countermeasures

Multi Band

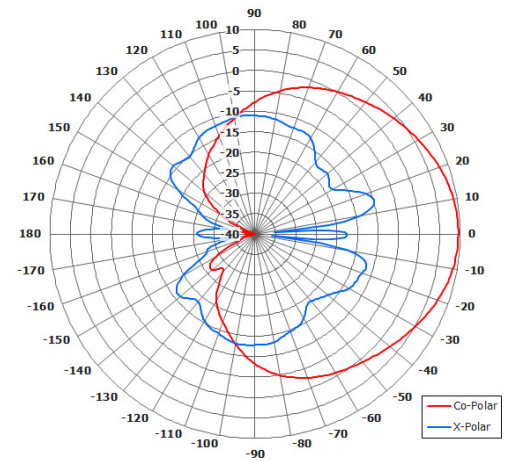
High Power

Right Hand Circular Polarised

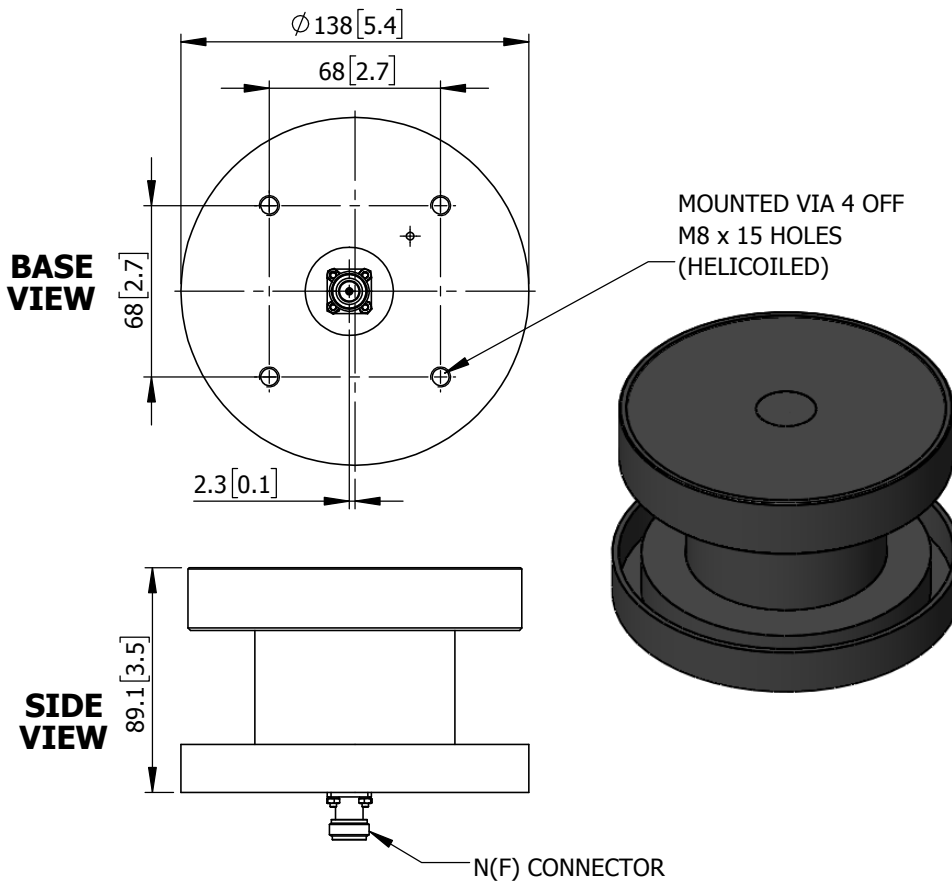
Rugged



Azimuth Polar Plot



Elevation Polar Plot



ELECTRICAL

Frequency: 1.7 - 6.0 GHz

Gain: 7 dBiC Typ.

Polarisation: Right Hand Circular

Beamwidth: 34° (Az) x 114° (El)

Axial Ratio: 3 dB Typ.

VSWR: 2:1 Typ, 2.5:1 Max.

Power Rating: 50 W

Front to Back: >20 dB Typ.

MECHANICAL

Standard Finish Black

Mass: 920g / 2.0 lbs

Temperature: -40° to +60°C

Wind Loading: 6.2 Kg / 13.6 lbs @ 100 mph

MOUNTING OPTIONS

Kits Available: MK4

See Separate Data Sheets

DS: 2293-2 Issued: 060418

Dimensions: mm [inches] M

Chelton Limited has a policy of continuous development and stress that the information provided is a guide only and does not constitute an offer or contract or part thereof. Whilst every effort is made to ensure the accuracy of the information contained in this brochure, no responsibility can be accepted for any errors or omissions.

The copyright of antenna designs and images is copyright protected and owned by Chelton Limited.
©Chelton Limited

For further information please contact:

Chelton Limited,
Lambda House, Cheveley,
Newmarket, Suffolk CB8 9RG, UK.

T: +44 (0)1638 732 177

E: newmarket.sales@chelton.com

W: www.chelton.com/microwave