

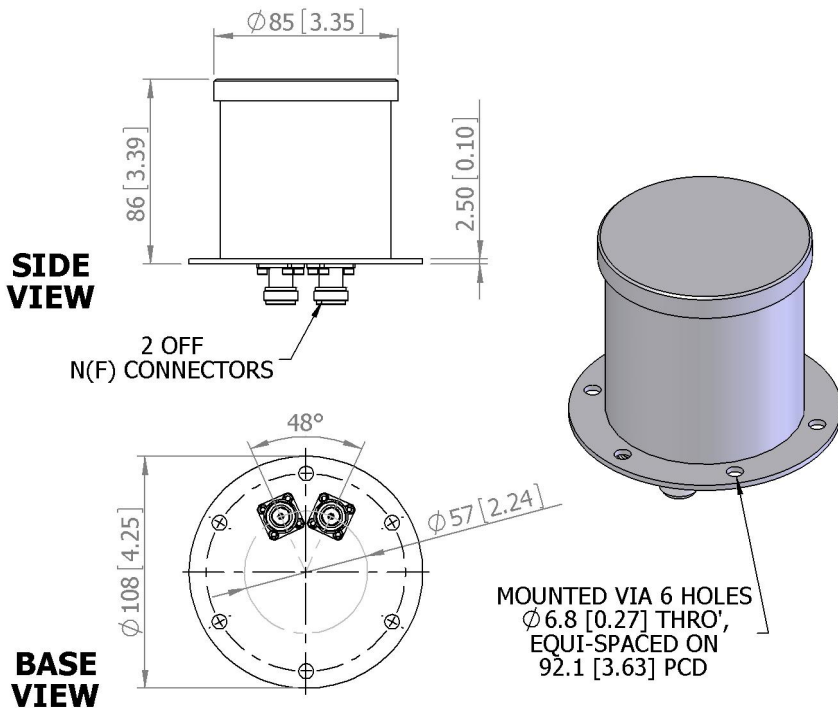
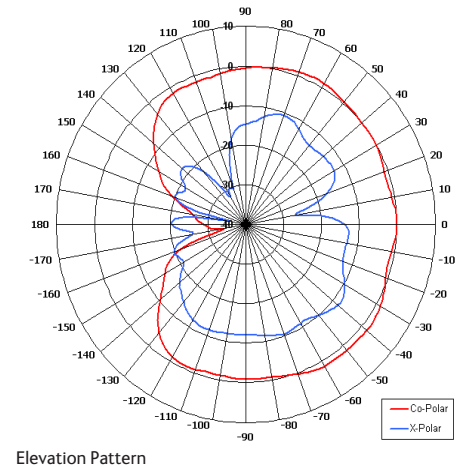
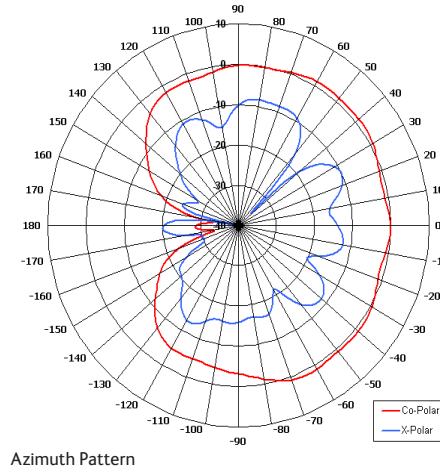
HOA3-1.5RL/1436

Hemi Omni Antenna



Key Features

- Designed for Satellite Application
- Dual Circular Polarisation
- Pattern - Hemi Omni
- Designed for Mobile Sat Comms
- Rugged
- Colour Options



GA: 1436

ELECTRICAL

Frequency	1.52 - 1.56 GHz
Gain	2.5 dBiC
Polarisation	Left & Right Hand Circular
Beamwidth	160° (Az) x 180° (EI) Typ
Axial Ratio	3 dB Typical
VSWR	1.5:1
Power Rating	10W
Front to Back	>15 dB Typical

MECHANICAL

Standard Finish	RAL 7001 Light Grey
Mass	0.7 Kg (1.54 lbs) Approx
Temperature	-40° to +65°C
Wind Loading	1.2 Kg(2.7lbs) @ 100mph

MOUNTING OPTIONS

Kits Available	N/A
See separate data sheets	

ADDITIONAL NOTES

Issued 090910

Chelton Limited has a policy of continuous development and stress that the information provided is a guide only and does not constitute an offer or contract or part thereof. Whilst every effort is made to ensure the accuracy of the information contained in this brochure, no responsibility can be accepted for any errors or omissions.

The copyright of antenna designs and images is copyright protected and owned by Chelton Limited.
©Chelton Limited

For further information please contact:
Chelton Limited,
Lambda House, Cheveley,
Newmarket, Suffolk CB8 9RG, UK.
T: +44 (0)1638 732 177
E: newmarket.sales@chelton.com
W: www.chelton.com/microwave