

FPA13-2050R/1056

Directional Antenna



Key Features

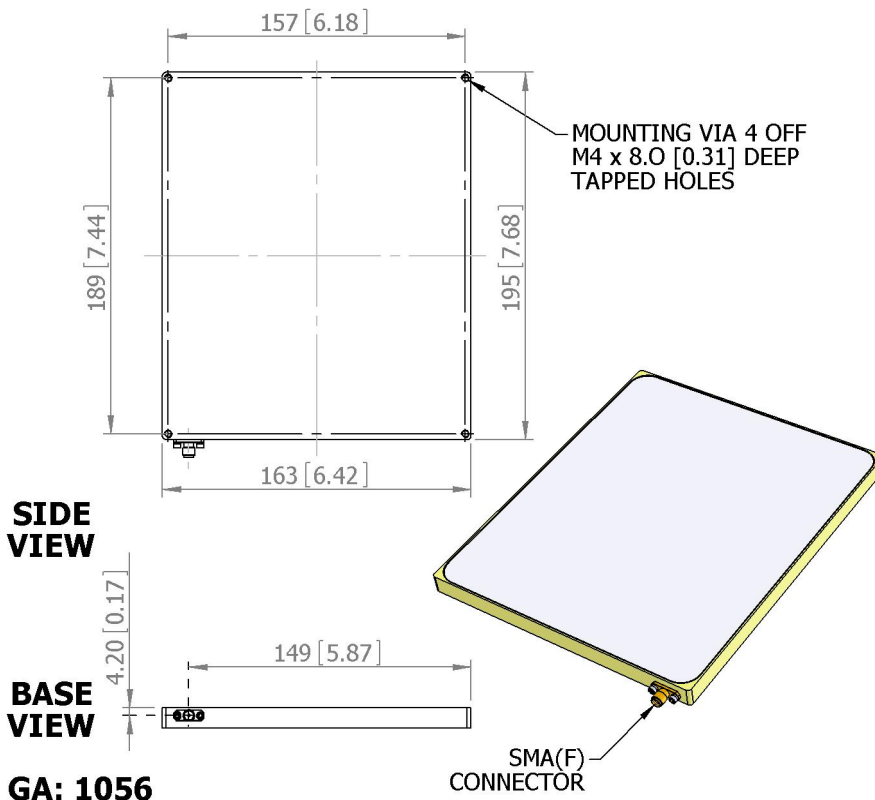
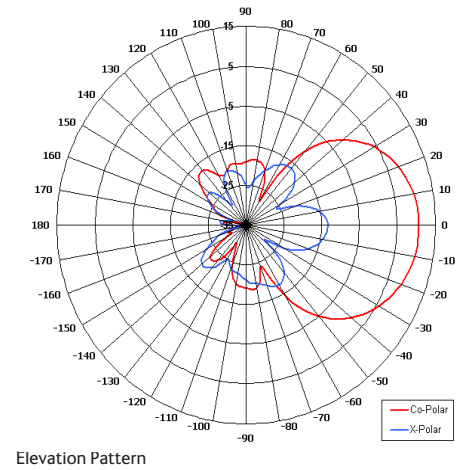
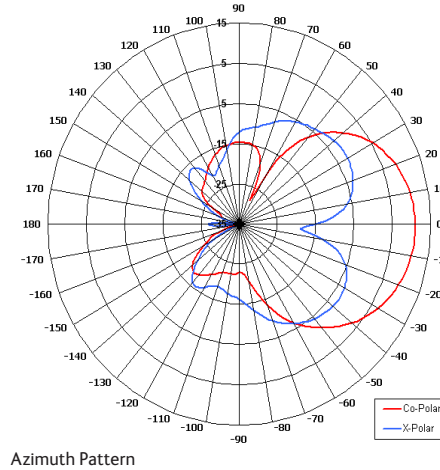
Designed for Broadcast

Applications

Suitable for Multiple Applications

Right Hand Circular Polarised

Low Profile



ELECTRICAL

Frequency	1.99 - 2.11 GHz
Gain	10 dBiC Min
Polarisation	Right Hand Circular
Beamwidth	50° (Az) x 40° (El) Approx
Axial Ratio	2 dB Typ on Boresight
VSWR	1.5:1
Power Rating	10 W
Front to Back	30 dB Min

MECHANICAL

Standard Finish	White
Mass	375g (0.83 lbs)
Temperature	-20° to +50°C
Wind Loading	5.2 Kg (11.3lbs) @ 100mph

MOUNTING OPTIONS

Kits Available	N/A
See separate data sheets	

ADDITIONAL NOTES

Issued 021212

Chelton Limited has a policy of continuous development and stress that the information provided is a guide only and does not constitute an offer or contract or part thereof. Whilst every effort is made to ensure the accuracy of the information contained in this brochure, no responsibility can be accepted for any errors or omissions.

The copyright of antenna designs and images is copyright protected and owned by Chelton Limited.
©Chelton Limited

For further information please contact:
Chelton Limited,
Lambda House, Cheveley,
Newmarket, Suffolk CB8 9RG, UK.
T: +44 (0)1638 732 177
E: newmarket.sales@chelton.com
W: www.chelton.com/microwave