



EUROPEAN ANTENNAS

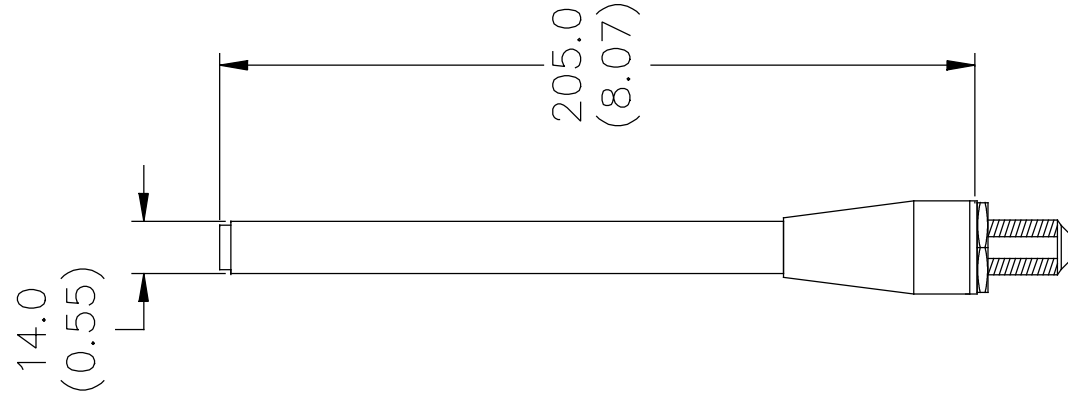


RUGGED DIPOLE ANTENNA

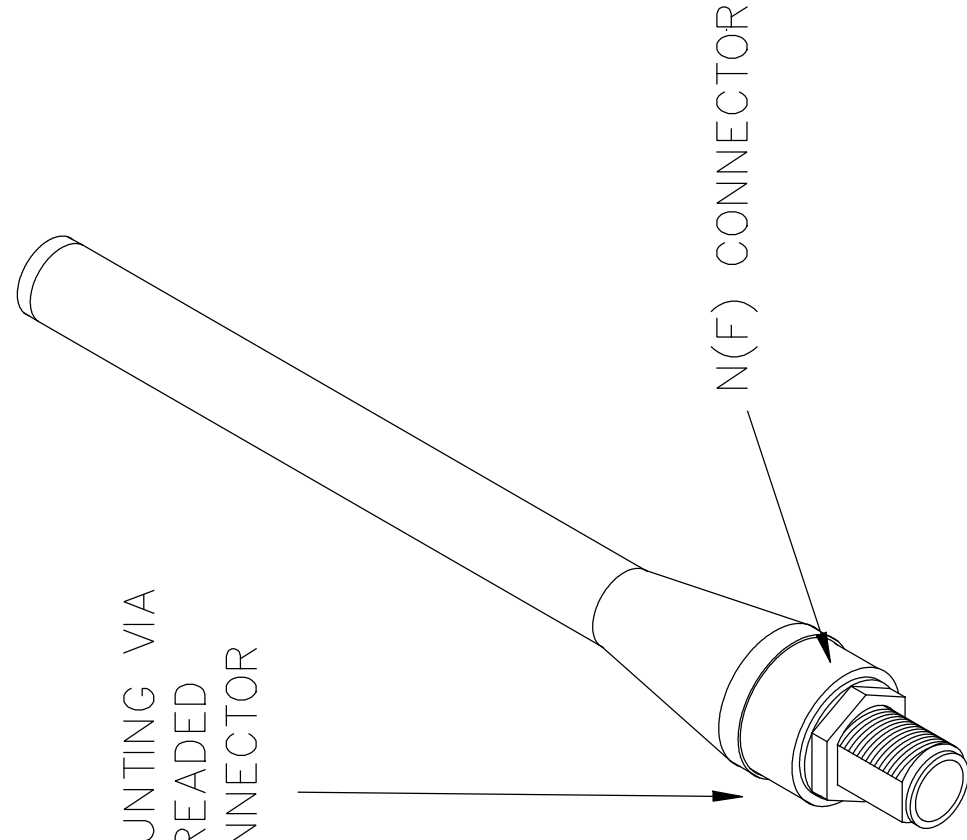
MODEL: EVD2-1500/002

FREQUENCY: 1.42 – 1.54 GHz	GAIN: 2 dBi
POLARISATION: Linear (Vertical)	BEAMWIDTH: 360° x 80°
CROSS POLAR: 15 – 20 dB	VSWR: 2 : 1 Max
POWER RATING: 20 W	FRONT TO BACK: N/A
TEMPERATURE: -20°C to +50°C	MASS: 120 g/4 oz
RADOME: Glass Fibre (Matt Black)	WIND LOADING: 0.6Kg/1.3lbs @100mph

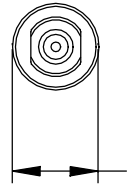
SIDE VIEW



ISOMETRIC VIEW



END VIEW



DIMENSIONS: mm (inches)

GA 002-2 Issued 171103

EUROPEAN ANTENNAS LTD.

TEL: +44 (0)1638 731888

FAX: +44 (0)1638 731999

LAMBDA HOUSE, CHEVELEY,
NEWMARKET, SUFFOLK, CB8 9RG,
UNITED KINGDOM.

European Antennas Ltd. has a policy of continuous development and therefore stress that the data contained on this sheet should be used for guidance only.