

FPA14-13V/430

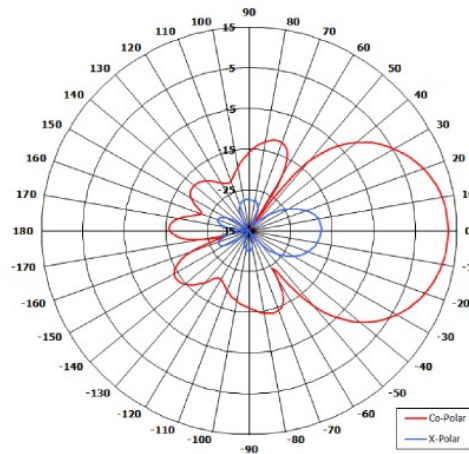
Directional Antenna

Key Features:

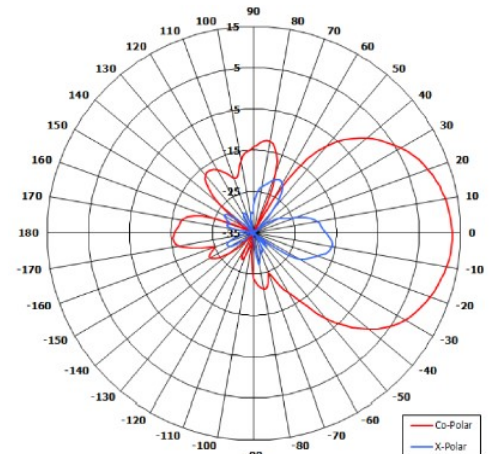
Designed for point-to-point communications

Low profile rugged design

High gain

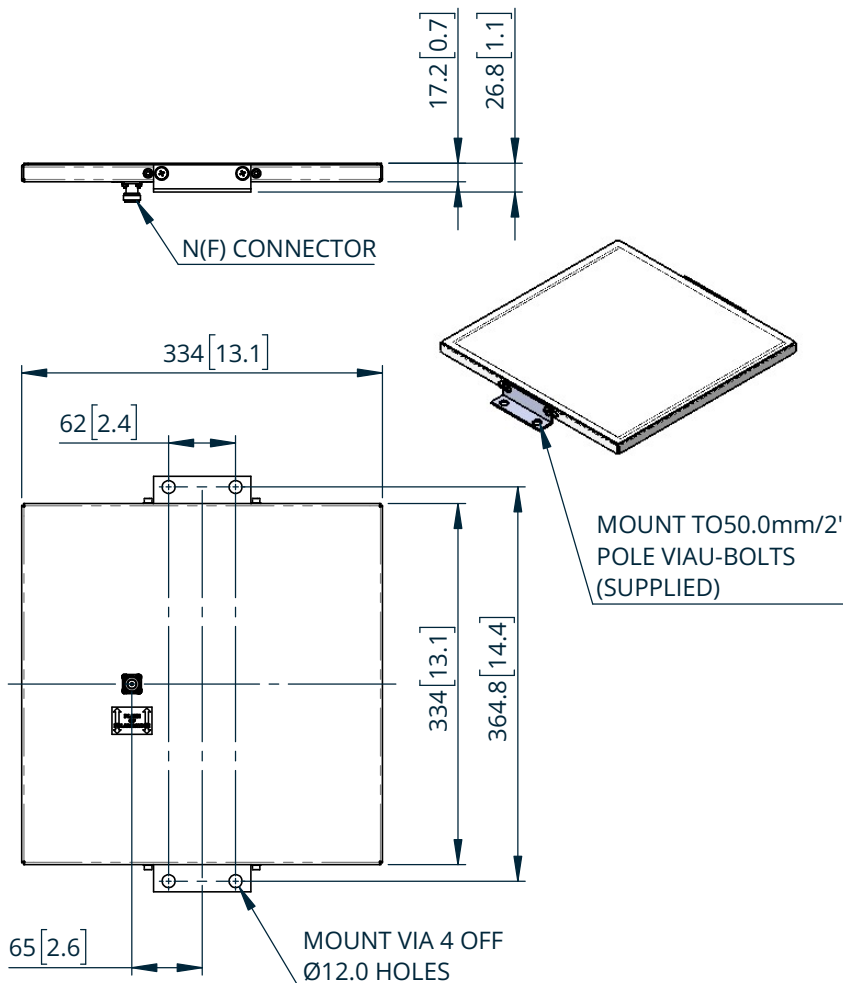


Azimuth Polar Plot



Elevation Polar Plot

SIDE VIEW



BASE VIEW

ELECTRICAL

Frequency: 1.24 to 1.34 GHz

Gain: 14 dBi Typ.

Polarisation: Vertical

Beamwidth: 40° x 40° Typ.

VSWR: 2:1 Max.

Power Rating: 10 W

MECHANICAL

Standard Finish: White

Mass: 1.2 Kg / 2.6 lbs

Temperature: -20 to +50°C

Wind Loading: 164 N @ 100 mph

MOUNTING OPTIONS

Kits Available: Integrated

Full radiation patterns and CAD available on request

DS: 0430-4

Issued: 020821

Dimensions: mm [inches]