

LPA7-16RL/1311

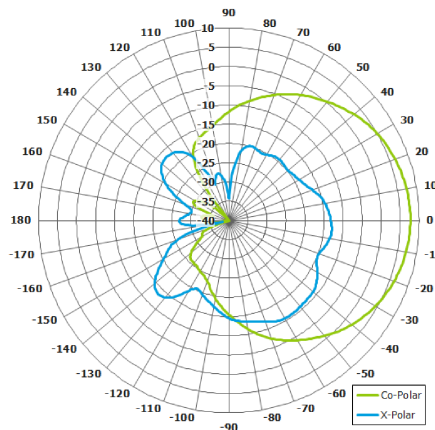
Directional Antenna

Key Features:

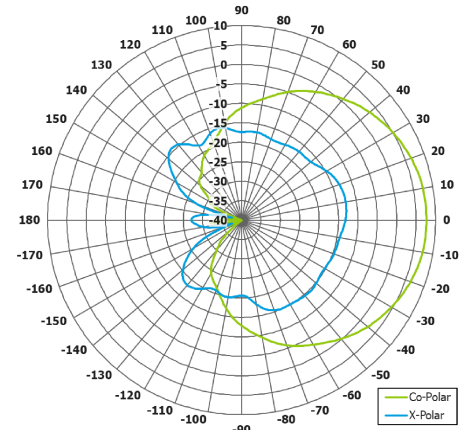
Designed for the Inmarsat and Thuraya Satellite Networks

Dual circular polarisations

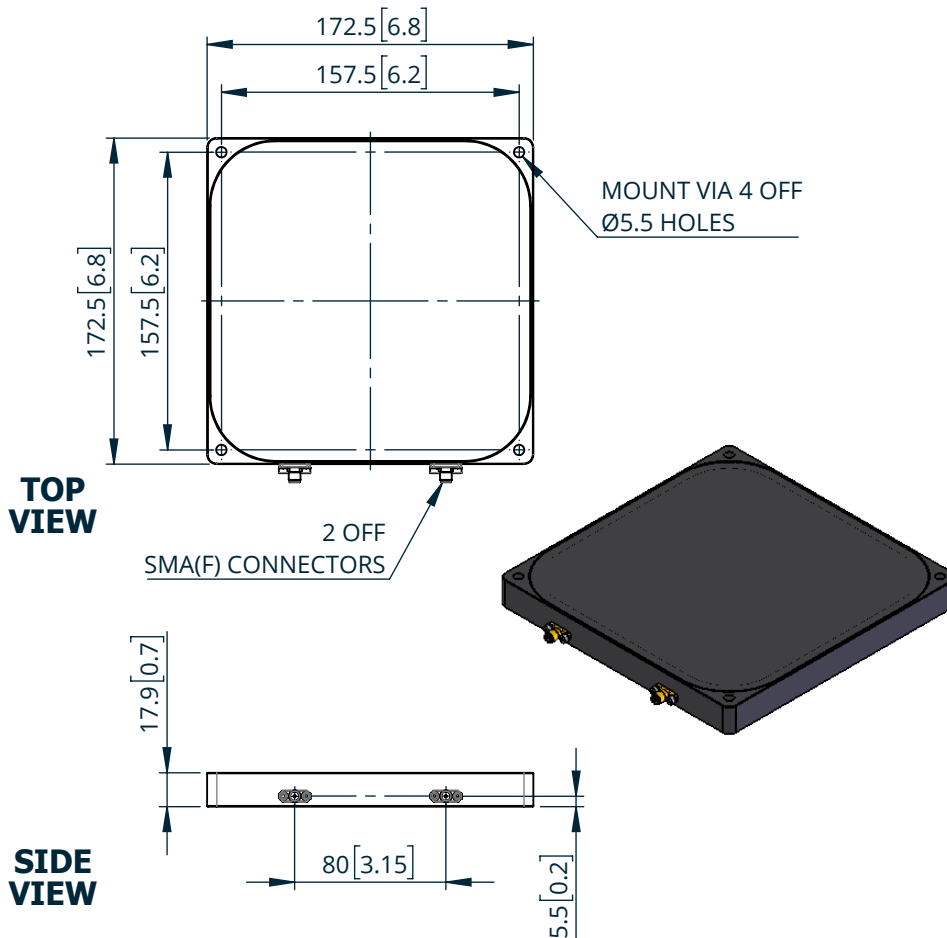
Low profile rugged design



**Azimuth Polar Plot
(@ 1.56 GHz)**



**Elevation Polar Plot
(@ 1.56 GHz)**



ELECTRICAL

| | |
|---------------|------------------------------|
| Frequency: | 1.52 to 1.66 GHz |
| Gain: | 8 dBiC Typ. |
| Polarisation: | Right and left hand circular |
| Beamwidth: | 60° x 60° Typ. |
| Axial Ratio: | 2.0 dB Typ. |
| VSWR: | 1.5:1 Max. |
| Power Rating: | 10 W |

MECHANICAL

| | |
|------------------|-----------------|
| Standard Finish: | Matt black |
| Mass: | 600 g / 21.2 oz |
| Temperature: | -20 to +50°C |

Full radiation patterns and CAD available on request

DS: 1311-2

Issued: 040821

Dimensions: mm [inches]