

EVD2-1300/018

Rugged Omni Antenna



Key Features

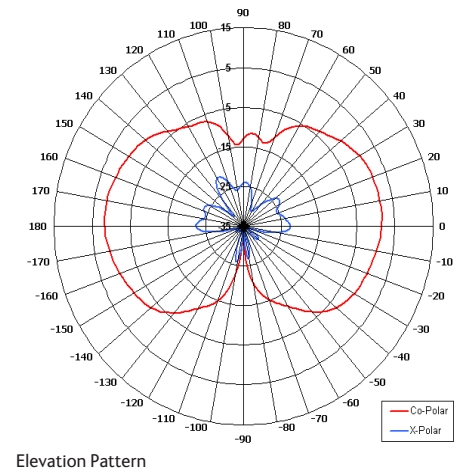
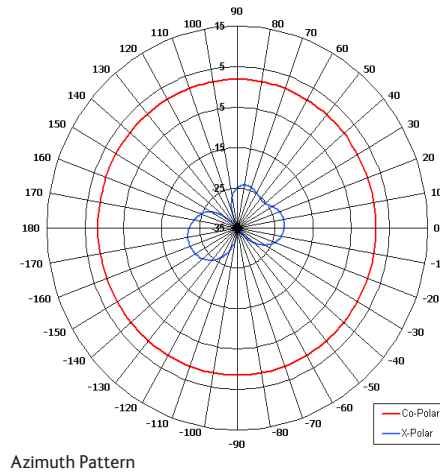
Designed for Security Applications

Suitable for Mobile Applications

Compact

Connector Options

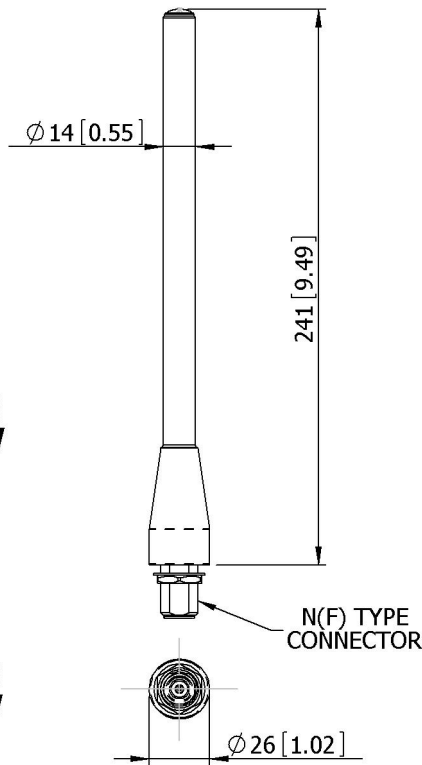
Ground Plane Independent



SIDE VIEW

BASE VIEW

GA: 0018



ELECTRICAL

Frequency	1.24 - 1.34 GHz
Gain	2 dBi Nom
Polarisation	Linear (Vertical)
Beamwidth	360° (Az) x 80° (El) Approx
Cross Polar	15 - 20 dB
VSWR	2:1
Power Rating	20 W
Front to Back	N/A

MECHANICAL

Standard Finish	Matt Black
Mass	120 g (4 oz)
Temperature	-20° to +50°C
Wind Loading	0.6 Kg (1.3lbs) @ 100mph

MOUNTING OPTIONS

Kits Available	N/A
----------------	-----

See separate data sheets

ADDITIONAL NOTES

Issued 200510

Chelton Limited has a policy of continuous development and stress that the information provided is a guide only and does not constitute an offer or contract or part thereof. Whilst every effort is made to ensure the accuracy of the information contained in this brochure, no responsibility can be accepted for any errors or omissions.

The copyright of antenna designs and images is copyright protected and owned by Chelton Limited.
©Chelton Limited

For further information please contact:

Chelton Limited,
Lambda House, Cheveley,
Newmarket, Suffolk CB8 9RG, UK.
T: +44 (0)1638 732 177
E: newmarket.sales@chelton.com
W: www.chelton.com/microwave