

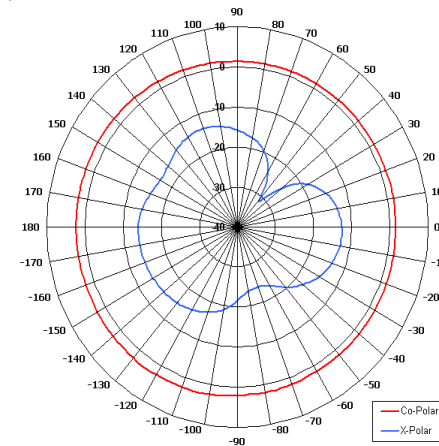
RC03-1700/122

Omni Antenna

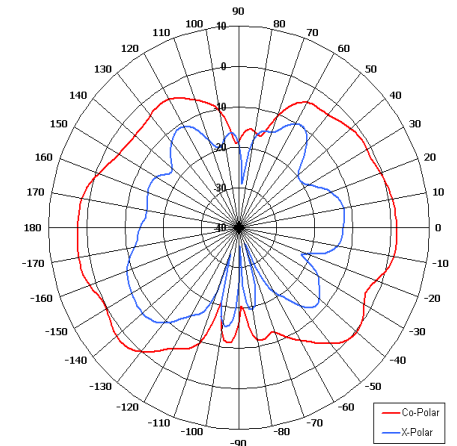


Key Features

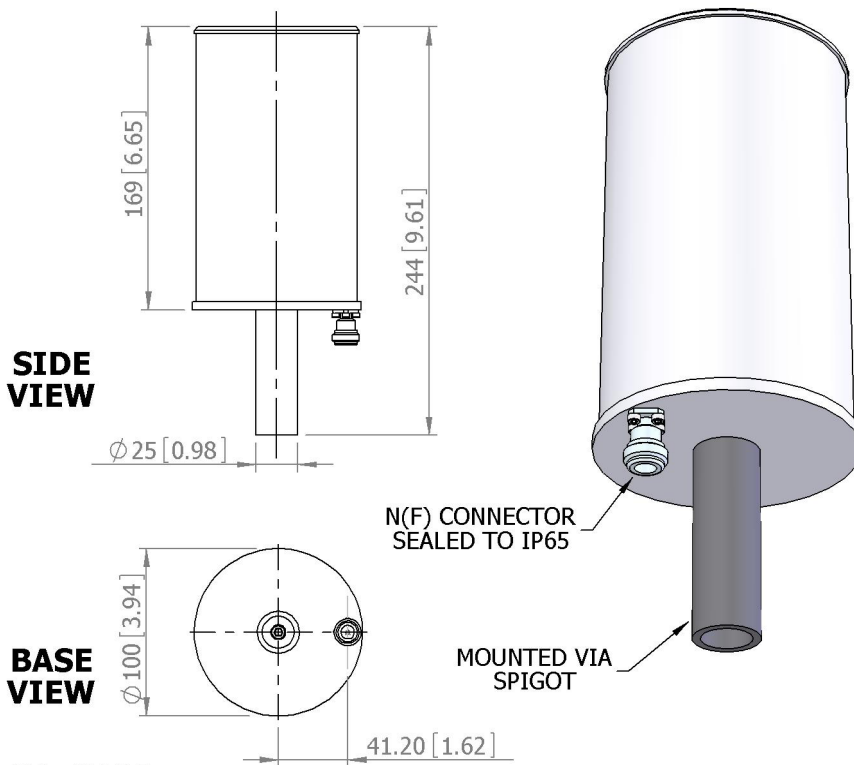
- Designed for Air to Ground
- Telemetry Link Right Hand Circular Polarised
- Suitable for Mobile Applications
- Rugged



Azimuth Pattern



Elevation Pattern



GA: 0122

ELECTRICAL

Frequency	1.55 - 1.85 GHz
Gain	2 dBiC Nom
Polarisation	Right Hand Circular
Beamwidth	360° (Az) x 80° (El) Approx
Axial Ratio	3.5 dB Typ
VSWR	1.5:1
Power Rating	10 W
Front to Back	N/A

MECHANICAL

Standard Finish	White
Mass	0.23 Kg (0.51 lbs)
Temperature	-33° to +77° C
Wind Loading	27.5N @ 100mph

MOUNTING OPTIONS

Kits Available	N/A
See separate data sheets	

ADDITIONAL NOTES

Issued 180516

Chelton Limited has a policy of continuous development and stress that the information provided is a guide only and does not constitute an offer or contract or part thereof. Whilst every effort is made to ensure the accuracy of the information contained in this brochure, no responsibility can be accepted for any errors or omissions.

The copyright of antenna designs and images is copyright protected and owned by Chelton Limited.
©Chelton Limited

For further information please contact:

Chelton Limited,
Lambda House, Cheveley,
Newmarket, Suffolk CB8 9RG, UK.

T: +44 (0)1638 732 177

E: newmarket.sales@chelton.com

W: www.chelton.com/microwave