

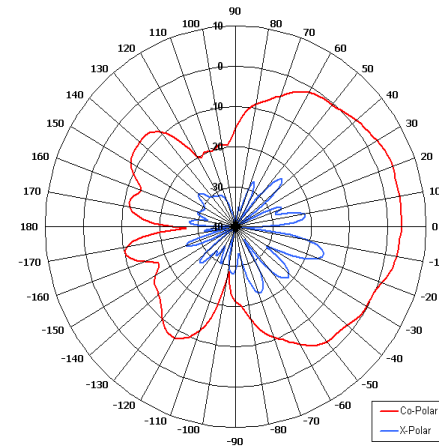
# HDA-12751/1148



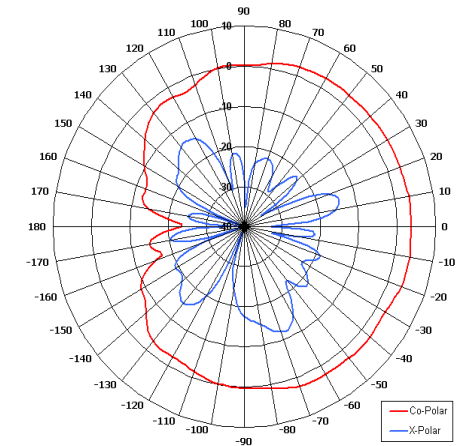
Directional Antenna

## Key Features

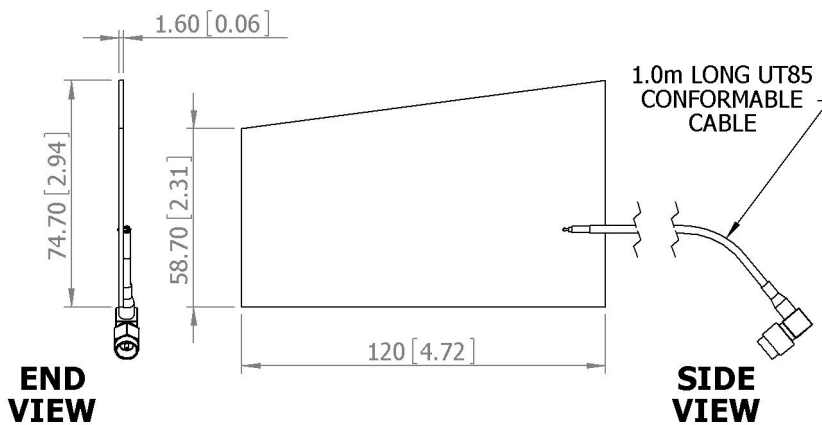
- Designed for UAV Data Link
- Applications Pattern - Sectorial
- Designed for Integrated Solutions
- Lightweight
- Covered by Export Control Legislation



Azimuth Pattern

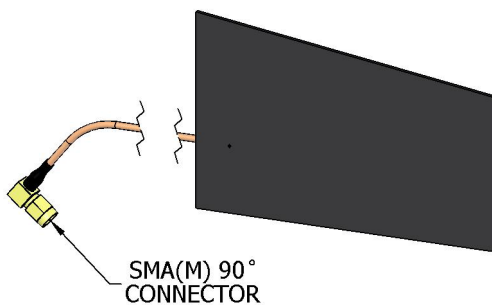


Elevation Pattern



**END VIEW**

**SIDE VIEW**



**GA: 1148**

### ELECTRICAL

Frequency	1.20 - 1.35 GHz
Gain	4 dBi Nom
Polarisation	Linear (Horizontal)
Beamwidth	75° (Az) x 175° (El) Approx
Cross Polar	-20 dB Min
VSWR	2.0:1
Power Rating	5 W
Front to Back	N/A

### MECHANICAL

Standard Finish	Matt Black
Mass	47g (1.65 oz)
Temperature	-20° to +50°C
Wind Loading	1.3 Kg (2.9lbs) @ 100mph

### MOUNTING OPTIONS

Kits Available	N/A
See separate data sheets	

### ADDITIONAL NOTES

Issued 021212

Chelton Limited has a policy of continuous development and stress that the information provided is a guide only and does not constitute an offer or contract or part thereof. Whilst every effort is made to ensure the accuracy of the information contained in this brochure, no responsibility can be accepted for any errors or omissions.

The copyright of antenna designs and images is copyright protected and owned by Chelton Limited.  
©Chelton Limited

For further information please contact: Chelton Limited, Lambda House, Cheveley, Newmarket, Suffolk CB8 9RG, UK.  
T: +44 (0)1638 732 177  
E: newmarket.sales@chelton.com  
W: www.chelton.com/microwave