

AMH12-2.1R/1188

Directional Antenna



Key Features

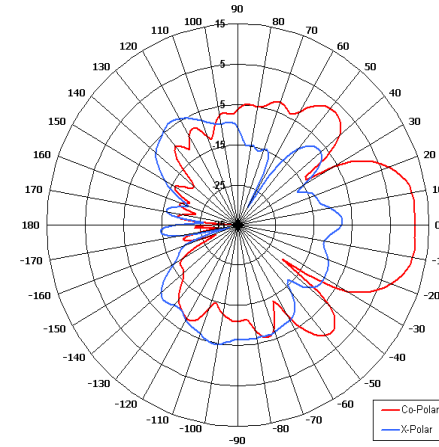
Designed for Security Applications

Suitable for Multiple Applications

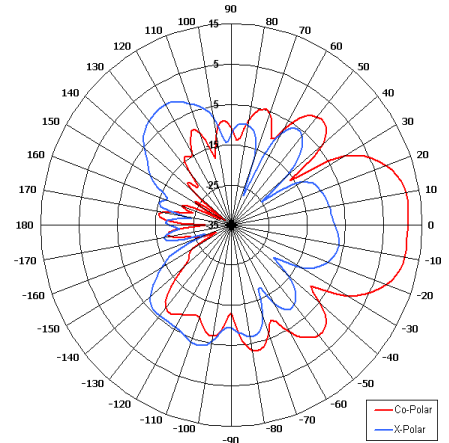
Wide Band

Right Hand Circular Polarised

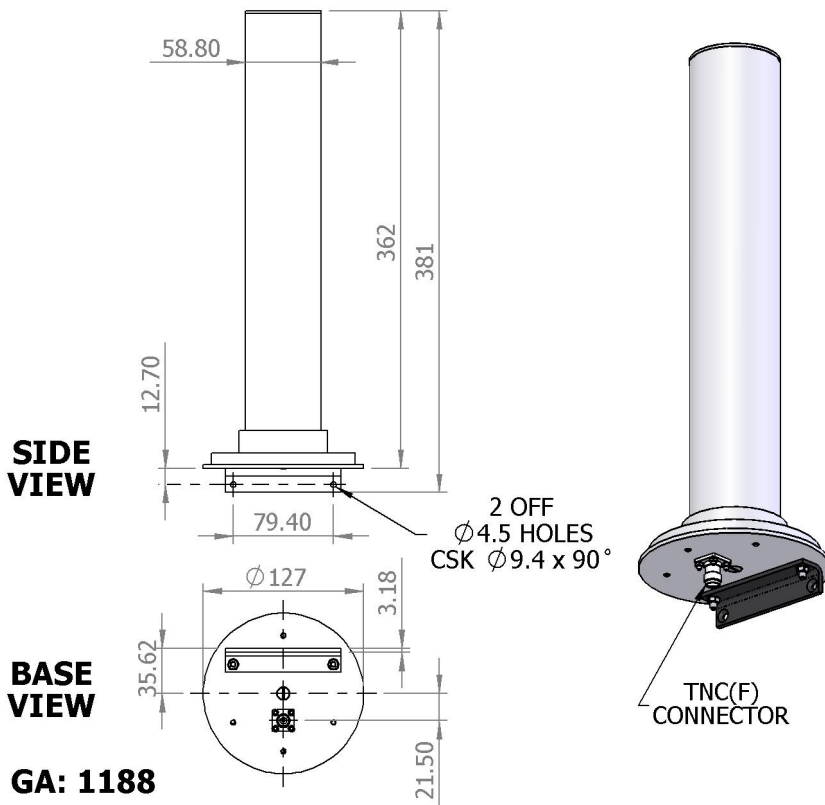
Rugged



Azimuth Pattern



Elevation Pattern



GA: 1188

ELECTRICAL

Frequency	1.70 - 2.50 GHz
Gain	12.5 dBIC Peak - 10.7 dBIC Typ
Polarisation	Right Hand Circular
Beamwidth	35° (Az) x 35° (El) Approx
Axial Ratio	<3 dB Typ
VSWR	<1.5:1 Typ
Power Rating	10 W
Front to Back	>30 dB Typ

MECHANICAL

Standard Finish	White
Mass	1 Kg (2.2 lbs)
Temperature	-40° to +60° C
Wind Loading	3.6 Kg (8.0 lbs) @ 100mph

MOUNTING OPTIONS

Kits Available	N/A
See separate data sheets	

ADDITIONAL NOTES

Issued 151010

Chelton Limited has a policy of continuous development and stress that the information provided is a guide only and does not constitute an offer or contract or part thereof. Whilst every effort is made to ensure the accuracy of the information contained in this Data Sheet, no responsibility can be accepted for any errors or omissions.

The copyright of antenna designs and images is copyright protected and owned by Chelton Limited.
©Chelton Limited.

For further information please contact:

Chelton Limited,
Lambda House, Cheveley,
Newmarket, Suffolk CB8 9RG, UK.
T: +44 (0)1638 732 177
E: newmarket.sales@cobham.com
W: www.chelton.com/microwave