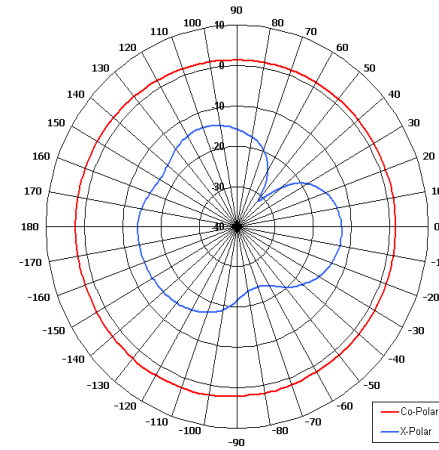
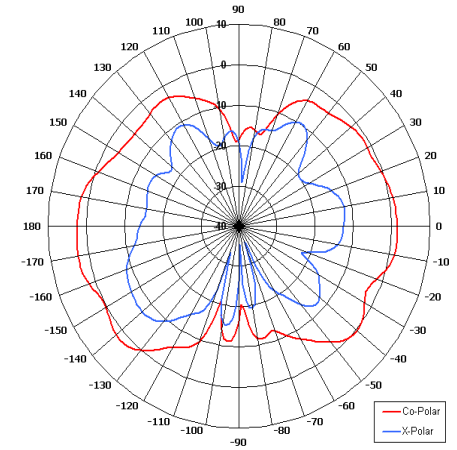


Key Features

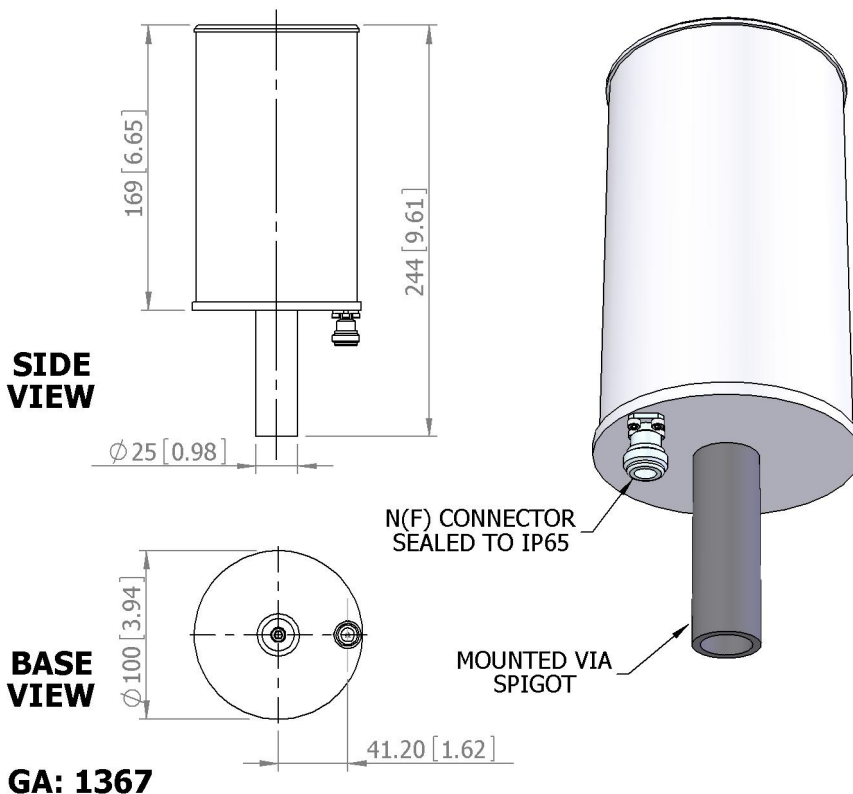
- Designed for Air to Ground Telemetry Link
- Left Hand Circular Polarised
- Suitable for Mobile Applications
- Rugged



Azimuth Pattern



Elevation Pattern



ELECTRICAL

Frequency	1.55 - 1.85 GHz
Gain	3 dBiC Nom
Polarisation	Left Hand Circular
Beamwidth	360° (Az) x 80° (El) Approx
Axial Ratio	3 dB Typ
VSWR	1.5:1
Power Rating	10W
Front to Back	N/A

MECHANICAL

Standard Finish	White
Mass	0.23 Kg (0.51 lbs)
Temperature	-33° to +77° C
Wind Loading	2.8 Kg(6.2 lbs) @ 100mph

MOUNTING OPTIONS

Kits Available	N/A
See separate data sheets	

ADDITIONAL NOTES

Issued 030910