

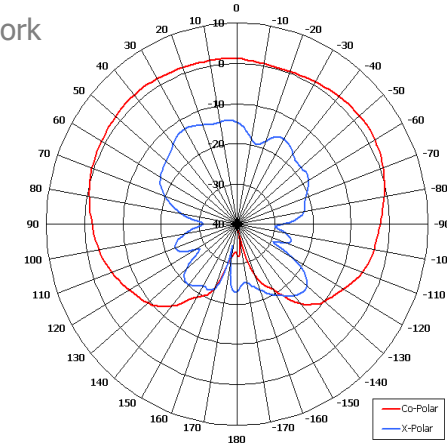
HOA2-159L-GPS/1486

Hemi Omni Satellite Antenna

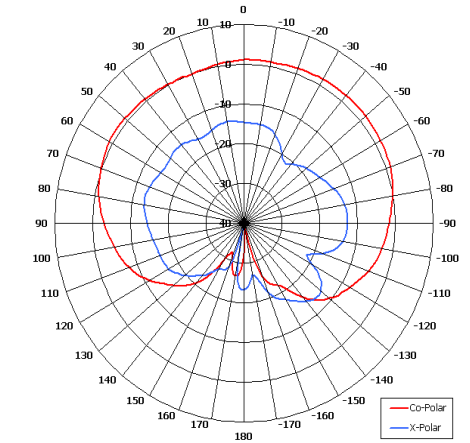


Key Features

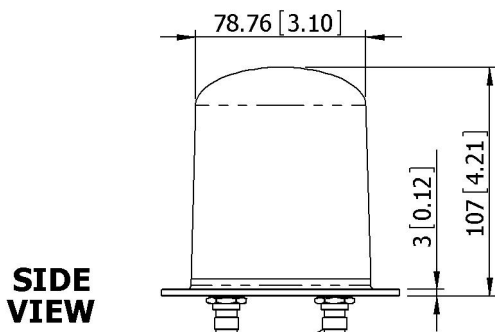
- Designed for Thuraya Satellite Network
- Suitable for Mobile Satcomms
- Integrated Active GPS Antenna
- Side Mount Connector Options



Azimuth Pattern

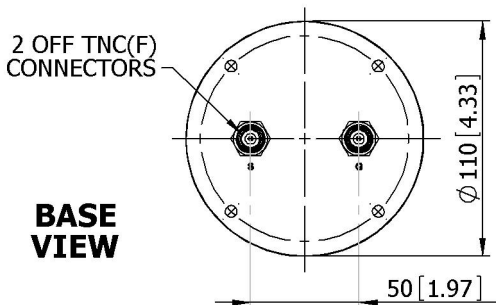


Elevation Pattern

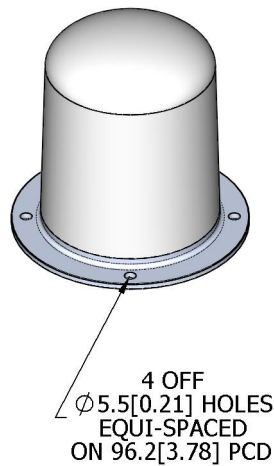


SIDE VIEW

GPS PORT
30 dBiC GAIN
5V DC VIA COAX



BASE VIEW



ELECTRICAL

Frequency	1.525 - 1.6605 GHz
Gain	2.4 dBiC Nom
Polarisation	Left Hand Circular
Beamwidth	360° (Az) x 163° (El) Approx
Axial Ratio	2.5 dB Typ
VSWR	2:1 Typ
Power Rating	20 W
Front to Back	N/A

MECHANICAL

Standard Finish	Alocrom Base, White Plastic Radome
Mass	220g (0.49 lbs)
Temperature	-40° to +70°C
Wind Loading	1.34 Kg(2.96lbs) @ 100mph

MOUNTING OPTIONS

Kits Available	155A
See separate data sheets	

ADDITIONAL NOTES

GA: 1486

Issued 260210

Chelton Limited has a policy of continuous development and stress that the information provided is a guide only and does not constitute an offer or contract or part thereof. Whilst every effort is made to ensure the accuracy of the information contained in this brochure, no responsibility can be accepted for any errors or omissions.

The copyright of antenna designs and images is copyright protected and owned by Chelton Limited.
©Chelton Limited

For further information please contact: Chelton Limited, Lambda House, Cheveley, Newmarket, Suffolk CB8 9RG, UK.
T: +44 (0)1638 732 177
E: newmarket.sales@chelton.com
W: www.chelton.com/microwave