

SA9-120-1.3V/1560

Sector Antenna



Key Features

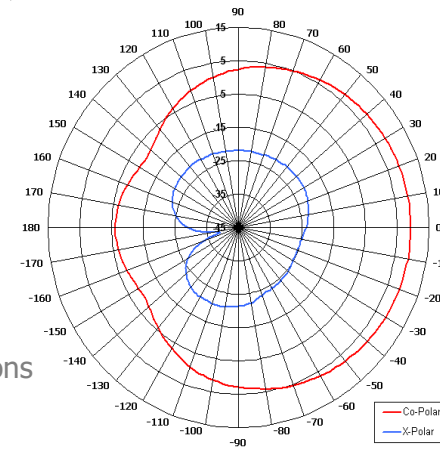
Designed for COFDM Applications

Wide Band

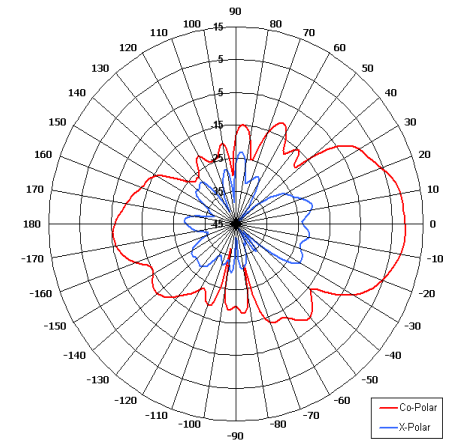
Suitable for UGV Datalink Applications

Low Profile

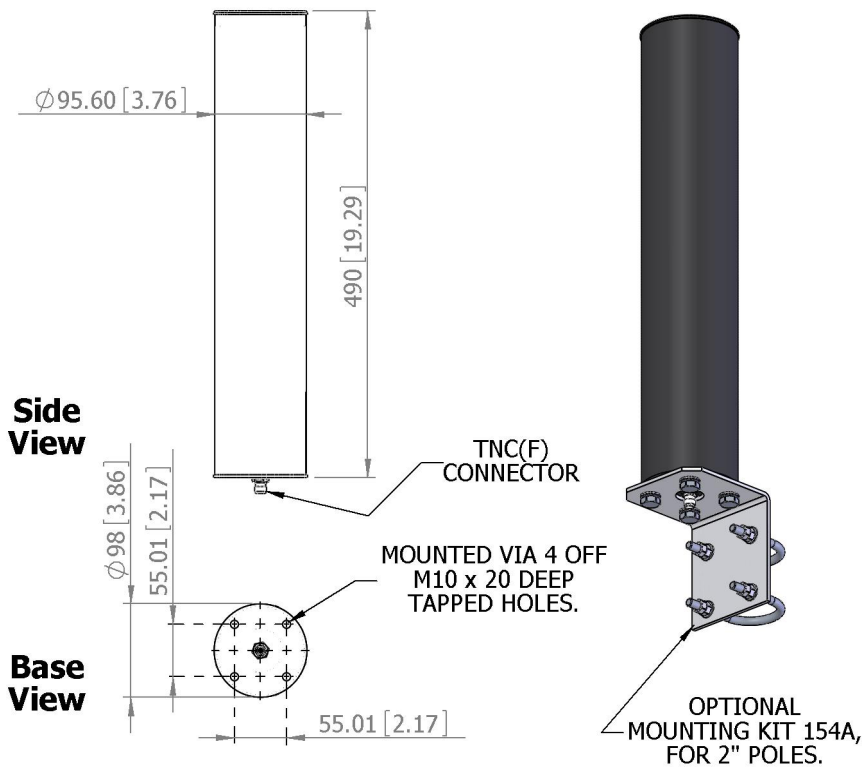
Suitable for Ground Based Applications



Azimuth Pattern



Elevation Pattern



GA: 1560

ELECTRICAL

Frequency	1.15 - 1.45 GHz
Gain	9dBi Nom
Polarisation	Linear (Vertical)
Beamwidth	120° (Az) x 36° El Approx
Cross Polar	>20 dB Typ
VSWR	2:1 Max. 1.5:1 Typ
Power Rating	50W
Front to Back	>14dB

MECHANICAL

Standard Finish	Matt Black
Mass	1.3Kg/3.52 lbs Excel. MK
Temperature	-40° to +60°C
Wind Loading	7.6kg/16.7lbs @ 100mph

MOUNTING OPTIONS

Kits Available	MK 154A
See separate data sheets	

ADDITIONAL NOTES

Issued 260310

Chelton Limited has a policy of continuous development and stress that the information provided is a guide only and does not constitute an offer or contract or part thereof. Whilst every effort is made to ensure the accuracy of the information contained in this brochure, no responsibility can be accepted for any errors or omissions.

The copyright of antenna designs and images is copyright protected and owned by Chelton Limited.
©Chelton Limited

For further information please contact: Chelton Limited,
Lambda House, Cheveley,
Newmarket, Suffolk CB8 9RG, UK.
T: +44 (0)1638 732 177
E: newmarket.sales@chelton.com
W: www.chelton.com/microwave