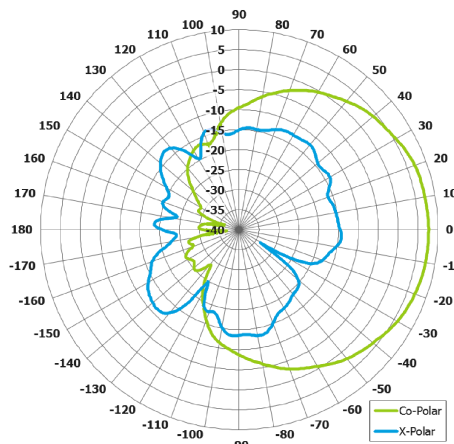


FPA8-1.6RL/2515

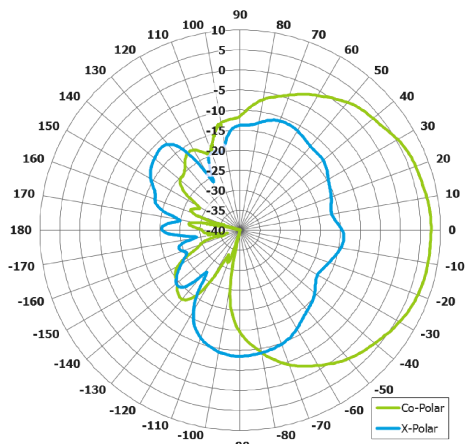
Flat Panel Antenna

Key Features:

- L Band satellite band
- Dual circular polarised
- Low profile

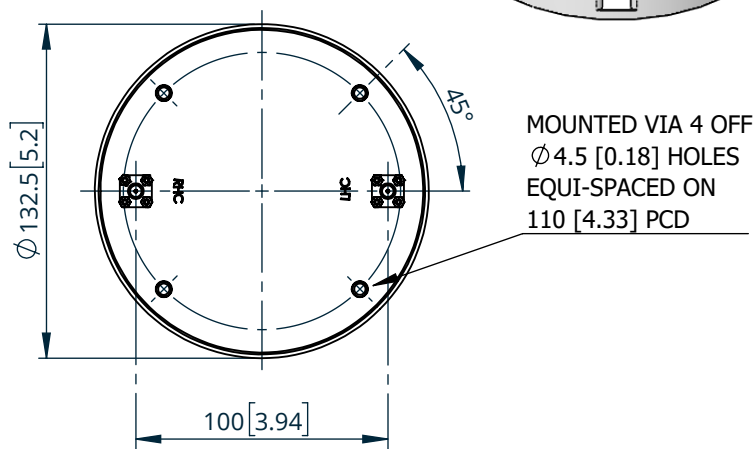
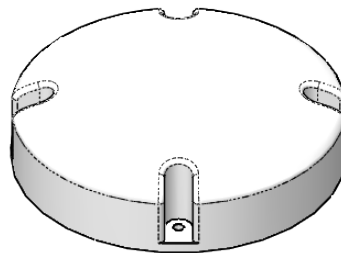
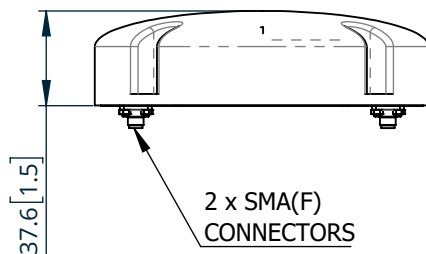


Azimuth Polar Plot



Elevation Polar Plot

SIDE VIEW



BASE VIEW

ELECTRICAL

Frequency:	1.5250 to 1.6605 GHz
Gain:	7.25 dBiC Nom.
Polarisation:	Right and left hand circular
Beamwidth:	68° (Az) x 68° (El) Approx.
Axial Ratio:	<2 dB Typ.
VSWR:	>1.5:1 Max.
Power Rating:	10 W
Front to Back:	>25 dB

MECHANICAL

Standard Finish:	White
Mass:	175 g / 6.17 oz
Temperature:	-40 to +60°C
Wind Loading:	14 N @ 100 mph

MOUNTING OPTIONS

Kits Available: 159A

See separate datasheet

Full radiation patterns and CAD available on request

DS: 2515-2

Issued: 090821

Dimensions: mm [inches]