

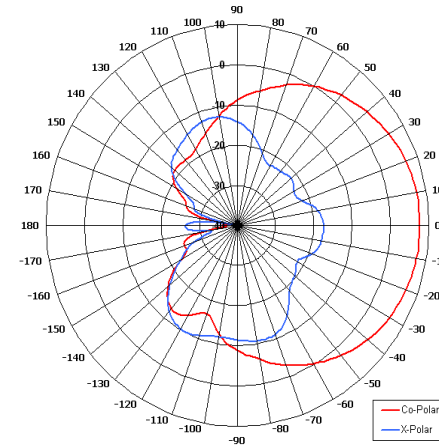
LPA7-2.1R/1710

Directional Antenna

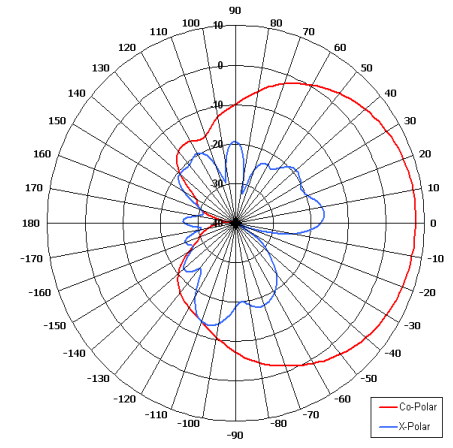


Key Features

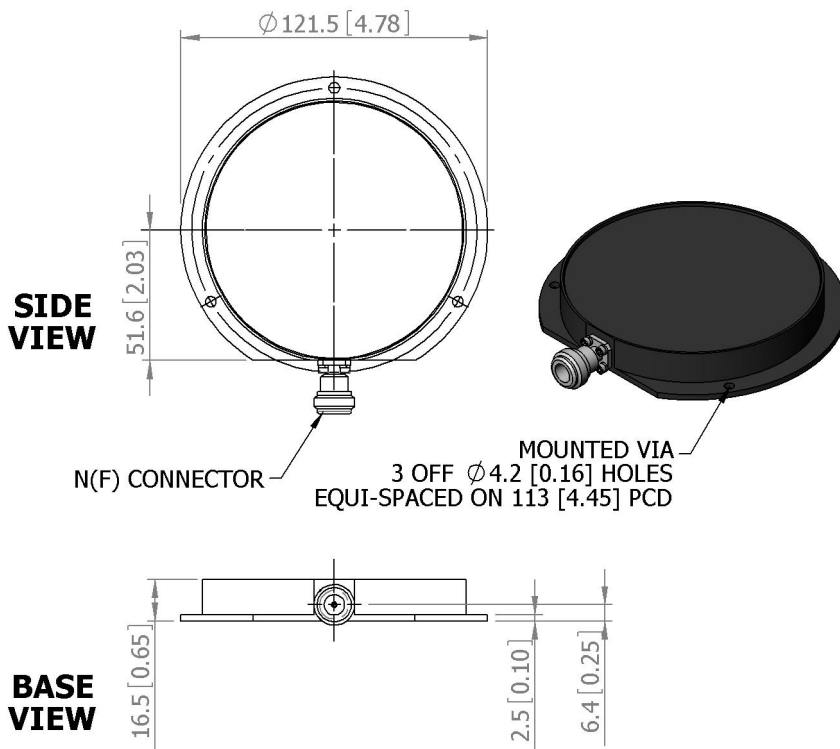
- Designed for Security Applications
- Suitable for Multiple Applications
- Low Profile
- Pattern - Directional
- Right Hand Circular Polarised
- Connector Options



Azimuth Pattern



Elevation Pattern



GA: 1710

ELECTRICAL

Frequency	1.90 - 2.30 GHz
Gain	7.0 dBi Nom
Polarisation	Right Hand Circular
Beamwidth	75° (Az) x 75° (El) Approx
Cross Polar	3.0 dB Typ
VSWR	1.5:1 Typ. 2:1 Max
Power Rating	10 W
Front to Back	25 dB Typ

MECHANICAL

Standard Finish	Matt Black
Mass	180 g (6.4 oz)
Temperature	-20° to +50°C
Wind Loading	1.88 Kg (4.14 lbs) @ 100 mph

MOUNTING OPTIONS

Kits Available	N/A
See separate data sheets	

ADDITIONAL NOTES

Issued 091210

Chelton Limited has a policy of continuous development and stress that the information provided is a guide only and does not constitute an offer or contract or part thereof. Whilst every effort is made to ensure the accuracy of the information contained in this brochure, no responsibility can be accepted for any errors or omissions.

The copyright of antenna designs and images is copyright protected and owned by Chelton Limited.
©Chelton Limited

For further information please contact: Chelton Limited, Lambda House, Cheveley, Newmarket, Suffolk CB8 9RG, UK.
T: +44 (0)1638 732 177
E: newmarket.sales@chelton.com
W: www.chelton.com/microwave