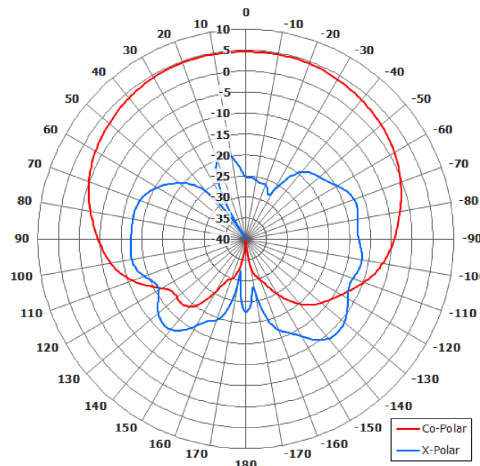


HOA2-1.5L/2064

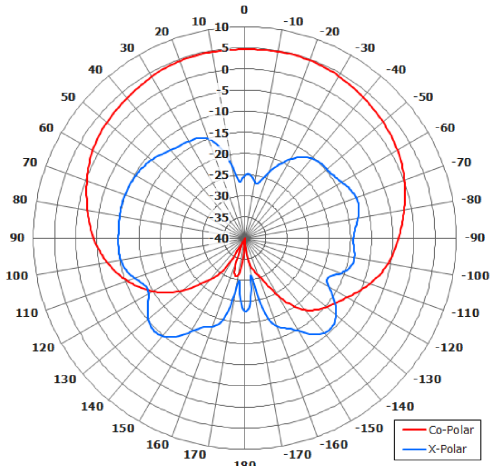
Hemi Omni Antenna

Key Features

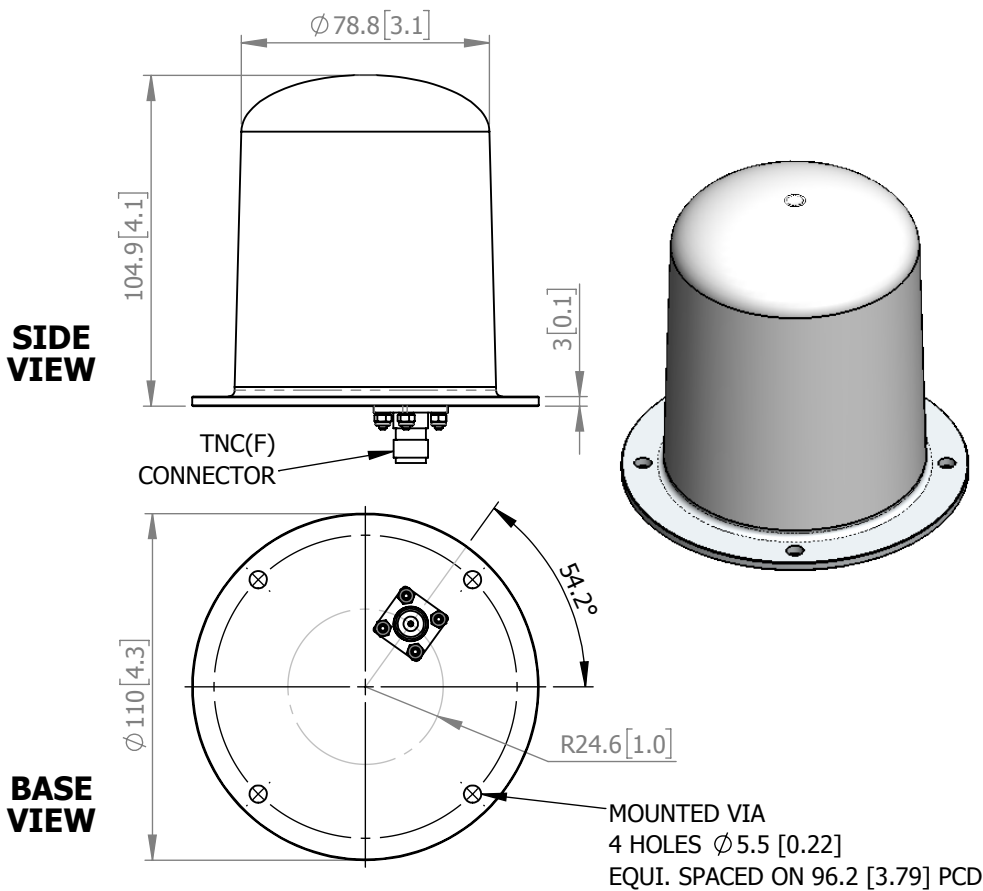
- Designed for L-band Sat Com
- Suitable for multiple applications
- Wide beam coverage



Elevation 1 Polar Plot



Elevation 2 Polar Plot



ELECTRICAL

Frequency:	1.38 - 1.71 GHz
Gain:	4 dBIC Nom.
Polarisation:	Left Hand Circular
Beamwidth:	(-3dB) 125° (Az) x 125° (El) Approx. (-5dB) 150° (Az) x 150° (El) Approx.
Axial Ratio:	3 dB Typ. @ 1.38-1.6 GHz 6.5 dB Typ @ 1.6-1.71 GHz
VSWR:	2:1 Max. 1.5:1 Typ.
Power Rating:	15 W

MECHANICAL

Standard Finish:	White
Mass:	200g / 7oz Approx.
Temperature:	-20° to +50°C
Wind Loading:	1.34 Kg / 2.96 lbs @ 100 mph

MOUNTING OPTIONS

Kits Available:	None
See Separate Data Sheets	

DS:	2064-1	Issued:	161017
Dimensions:	mm [inches]	M	

Copyright © 2017 by C elton Limited. All rights reserved. This document is the property of C elton Limited and is intended for use only by the individual or organization to whom it is loaned. It is not to be distributed, copied, or otherwise used without the written permission of C elton Limited. C elton Limited is not responsible for any errors or omissions in this document.

The copyright of antenna designs and images is copyright protected and owned by C elton Limited.
C elton Limited

For further information please contact C elton Limited
Lambda House, C evelle
Newmarket, Suffolk CB 9 7RG
Tel: 01473 812121
Email: newmarket.sales@celton.com
Web: www.celton.com/micro/ave