

OA-1.4V-2.3V/2677

Dual Band Omni Antenna

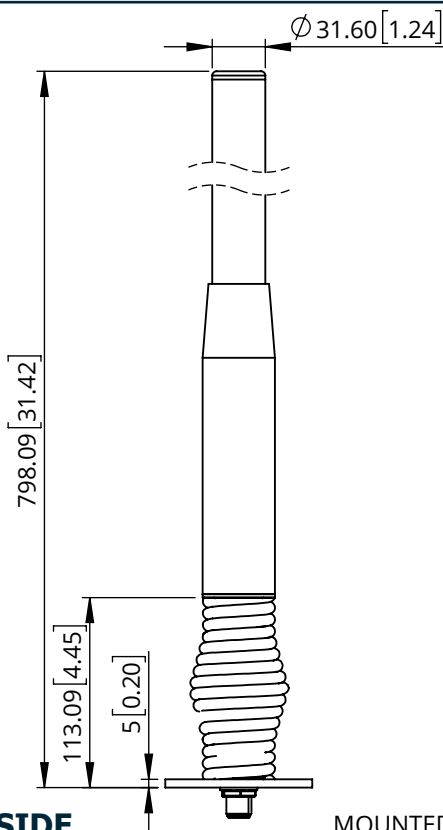
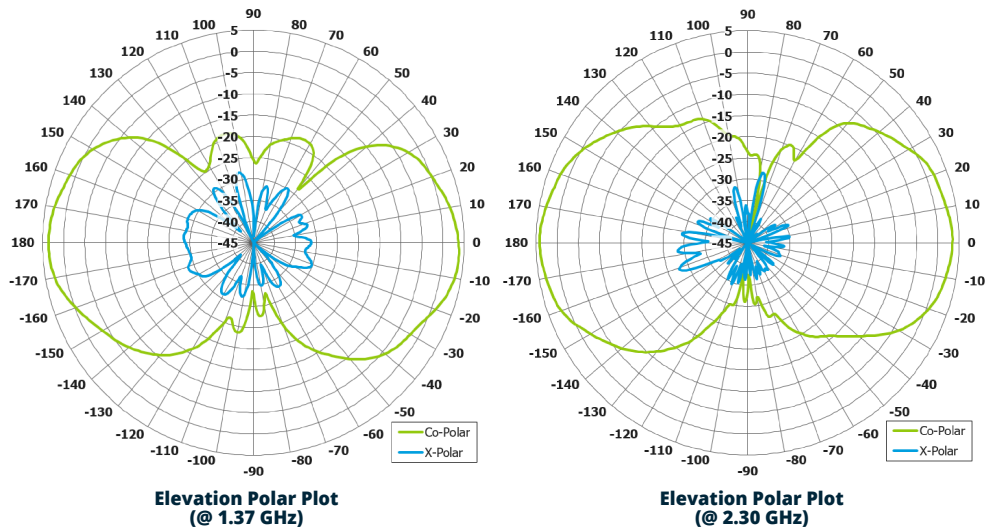
Key Features:

Designed for ground vehicle applications

Rugged design

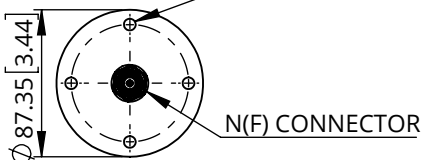
Integral spring

Single connector



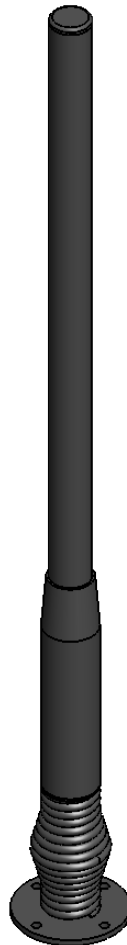
SIDE VIEW

BASE VIEW



MOUNTED VIA 4 OFF
 \varnothing 7 [0.3] HOLES THRO'
 EQUI-SP. ON 69.85 [2.75] PCD.

N(F) CONNECTOR



ELECTRICAL

Frequency:	1.35 to 1.39 GHz	2.20 to 2.50 GHz
Gain (Peak):	3.6 dBi Typ.	4.2 dBi Typ.
Gain (Average):	3.2 dBi Typ.	3.1 dBi Typ.
Polarisation:	Vertical	Vertical
Beamwidth:	360° x 40° Typ.	360° x 45° Typ.
Azimuth Ripple:	±1.0 dB Typ.	±1.0 dB Typ.
Cross Polar:	>20 dB Typ.	>20 dB Typ.
VSWR:	2:1 Max.	2:1 Max.
Power Rating:	10 W	10 W

MECHANICAL

Standard Finish:	Black
Mass:	1.3 Kg / 2.65 lbs
Temperature:	-40 to +70°C

MOUNTING OPTIONS

Kits Available:	Integrated
------------------------	------------

Full radiation patterns and CAD available on request

DS: 2677-1

Issued: 030323

Dimensions: mm [inches]